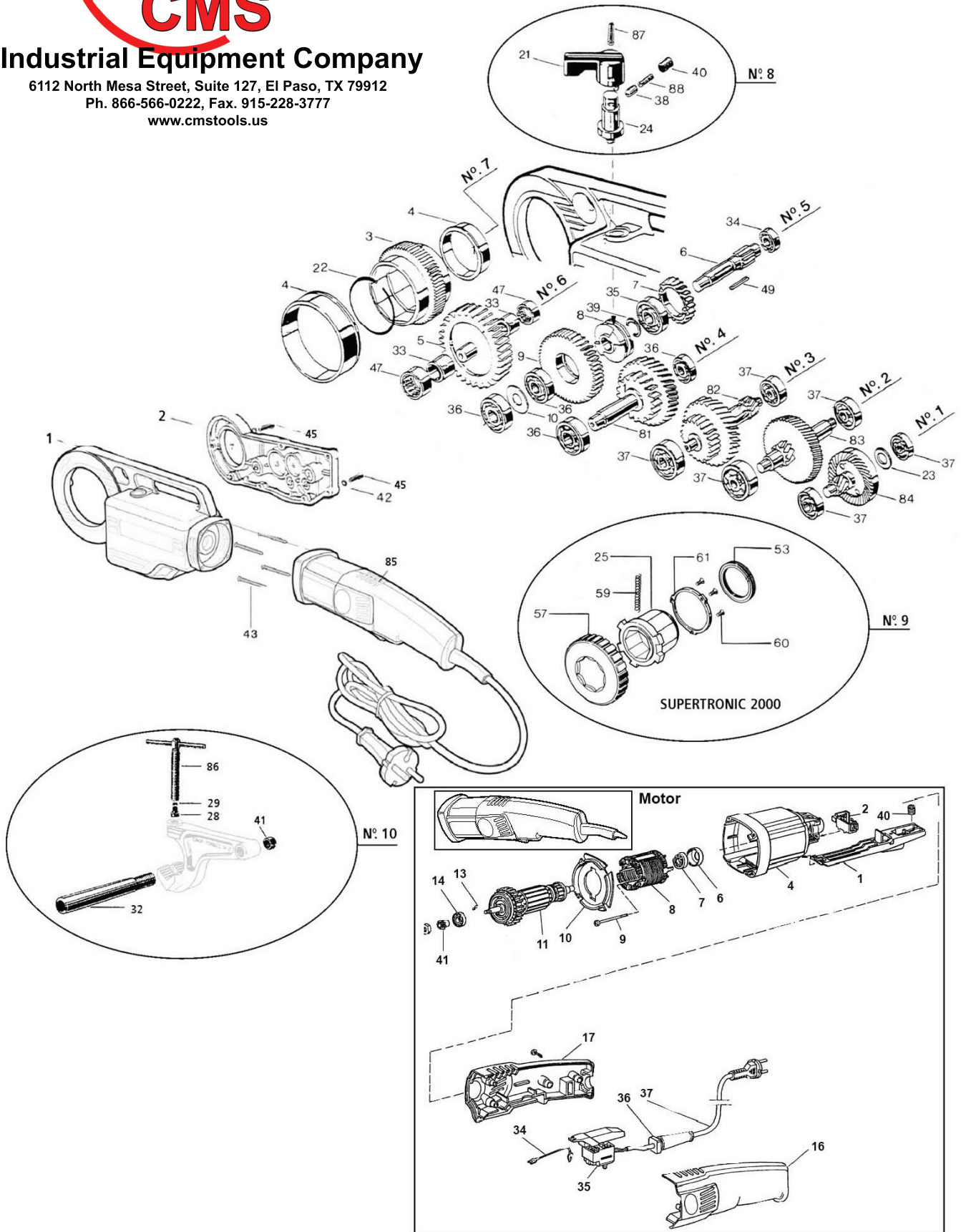




Industrial Equipment Company

6112 North Mesa Street, Suite 127, El Paso, TX 79912
Ph. 866-566-0222, Fax. 915-228-3777
www.cmstools.us



Item no.	Description	Article no.	Quantity
1	Gear box	864000116	1
2	Gear box cover	862000200	1
3	Die head retainer SC 2000 since 12/04	864000300	1
3	Die head retainer SC 1 ¼" since 12/04	863000300	1
3	Die head retainer SC 2000	862000300	1
4	Slide bearing	862000400	2
5	Toothed wheel 2"	862000500	1
5	Toothed wheel helicoidal since 12/04-1/4"-2"	864000500	1
6	Thread shaft helicoidal since 12/04	864000600	1
6	Thread shaft	862000600	1
7	Pinion	862000700	1
8	Coupling piece	862000800	1
9	Toothed wheel	862000900	1
10	Distance washer	862001000	1
21	Switch lever	862002100	1
22	Circlip SC 2000	862002200	1
22	Circlip SC 1 ¼"	600000800	2
23	Distance washer	862002300	1
24	Switch bolt	862002400	1
25	Octagonal coupling	862002500	1
28	Swivel pin for clamp assembly	862002800	1
29	Circlip	8620029	1
32	Pipe holder bolt	862003200	1
33	Bearing bush	862003300	2
34	Ball bearing 6202	8620034	1
35	Ball bearing 16002	862003500	1
36	Ball bearing 6001	862003600	4
37	Ball bearing 608	862003700	6
38	Pin	862003800	1
39	Circlip	862003900	1
40	Set screw M10x10	862004000	1
41	Hexagon nut	862004100	1
42	Toothed locked washer J5,1	862004200	1
43	Screw (motor fixing)	864004300	4
45	Cylinder head screw	862004500	2
47	Needle bearing	862004700	2
49	Parallel key A5x5x25	862004900	1
53	Worm ring	862005300	1
57	Cam wheel	8620057	1
59	Spring	862005900	1
60	Screw M4x8	862006000	3
61	Retainer ring	862006100	1
81	Shaft	862008100	1
82	Shaft with pinion	862008200	1
83	Shaft	862008300	1
84	Ring gear	862008400	1
85	Motor complete 230V, since no. 01100563	864009200	1
85	Motor complete 110V, since no. 01100563	864008800	1
86	Spindle for pipe holder	862008600	1
87	Spring dowel pin 4x20	102101400	1
88	Spring	862006300	1
100	Brush with holder (230V)	8387080	2
101	Switch, since no. 01100563	8311225	1
102	Cable guard nozzle	A23517900	1
103	Cable with power plug	A38107900	1
M1	Switch blocking SC 2000	A25720400	1
M2	Carbon brush + holder SC 2000 230V/110V (1Stück)	8387080	2
M4	Motor body SC 2000	A21132100	1
M6	Bearing holder SC 2000	A48107300	1
M7	Ball bearing 607 2SR	N6072RS	1
M8	Stator SC 2000 110V	A12108300	1
M8	Stator SC 2000 230V	8123113	1
M9	Spare screw SC 2000	A61710100	1
M10	Deflector SC 2000	A24649100	1
M11	Armature SC 2000 230V	A11318100	1
M11	Armature SC 2000 110V	A11110900	1
M13	Screw M3x6 DIN 7985	862004800	1
M14	Ball bearing 608ZZ	T855284	1
M16	Left half motor body SC 2000	A21618500	1
M17	Right half motor body SC 2000	A21618600	1

SUPERTRONIC 2000**No. 71240_71250_71251****Industrial Equipment Company**6112 North Mesa Street, Suite 127, El Paso, TX 79912
Ph. 866-566-0222, Fax. 915-228-3777
www.cmstools.us

dated: 01/16

Item no.	Description	Article no.	Quantity
M34	Rod connection SC 2000 230V	A18228200	1
M34	Rod connection SC 2000 110V	A18230000	1
M35	Switch SC2000	8311225	1
M36	Cable protector SC 2000	A23517900	1
M37	Cable compl. SC 2000 110V	A38109500	1
M37	Cable compl. SC 2000 230V	A38107900	1
M40	Switch spring SC 2000	A44711000	1
M41	Pinion SC 2000	864002200	1
No 1	Gearshaft no.1	862006400	1
No 2	Gearshaft no.2	862006500	1
No 3	Gearshaft no.3	862006600	1
No 4	Gearshaft no.4	862006700	1
No 5	Gearshaft no.5 helicoidal since 12-04	864007500	1
No 5	Gearshaft no.5	862007500	1
No 6	Gearshaft no.6 helicoidal since 12-04	864006800	1
No 6	Gearshaft no.6	862006800	1
No 7	Gearshaft no.7	862006900	1
No 7	Gearshaft no.7 helicoidal since 12-04	864006900	1
No 8	Repair set	862007800	1
No 9	ROFIX- Adapter compl.	71271	1
No 10	Pipe holder complete	71280	1

IMPORTANT! To assure safety and reliability, repairs, maintenance and adjustment must be performed by ROTHENBERGER Kelkheim or authorized Service-Centers. Always use Original-Service-Parts. Order your accessories and spare parts from your specialist retailer or using our Service After Sales hotline