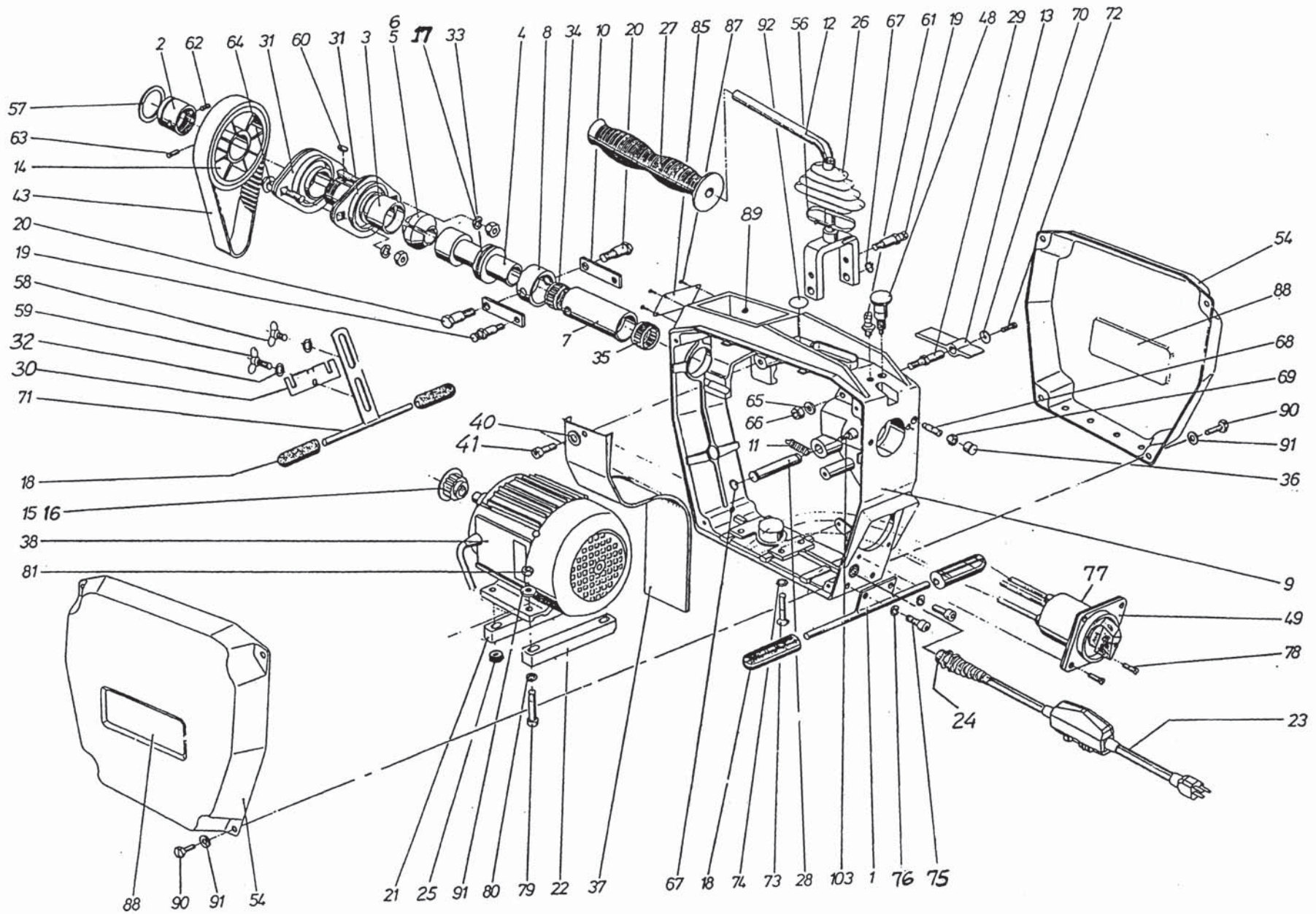


R-600 MAIN ASSEMBLY



Industrial Equipment Company

6112 North Mesa Street, Suite 127, El Paso, TX 79912
 Ph. 866-566-0222, Fax. 915-228-3777
www.cmstools.us

R-600 MAIN ASSEMBLY PARTS LIST

Item	Part No.	Qty	Description	Item	Part No.	Qty	Description
1	H90103	1	Foot, Rear, R-550/600	54	H90136	2	Cover, Side, Red, R-600
2	H98265	1	Cap, Front, R-600	56	H97456	1	Clamp, Clutch Lever Boot, R-550/600
3	H99747	1	Shaft, Tapered, Front, R-600	57	H98369	1	Seal, O-Ring, R-600
4	H99748	1	Sleeve, Tapered, Rear, R-600	58	H98258	1	Wing Bolt, M8x16
5	H72638	1	Jaw Set w/Springs, R-600	59	H98259	1	Wing Bolt, M8x25
6	H99746	1	Spring Set only, Jaw, R-600	60	H98264	1	Key, Square, A5x5x30, R-600
7	H98391	1	Bushing, Thrust, R-600	61	H98963	1	Grease Fitting, R-550/600
8	H98281	1	Ring, Pressure, R-600	62	H98266	1	Setscrew, M6x6, R-550/600
9	60001	1	Housing, R-600	63	H98207	1	Setscrew, M6x10, R550/600
10	H90130	2	Link, Clutch Lever, R-600	64	H98271	2	Bolt, Carriage, M10x70, R600
11	H98109	1	Spring, Ext.,Clutch Lever, R-550/600	65	H98671	1	Washer, Flat, M8, DIN125, R-550/600
12	H98400	1	Lever, Clutch, R-600	66	H88502	1	Locknut,Hex,M8, R-550/600
13	H98401	1	Lever, Locking, R-600	67	H98973	2	Ring, Retaining, Lever, R-550/600
14	H98267	1	Pulley, Timing Belt, 36T, R-600	68	H88603	1	Setscrew, Adjustment, R-600
15	60017	1	Pulley, Timing Belt, 10T, R-600	69	H98289	1	Nut, Hex, Adjustment, R-550/600
16	H-903-D	1	Setscrew, #10-24x1/4"L, R-550/600	70	H98670	1	Washer, Flat, R-550/600
17	H98272	2	Lockwasher, M10, R-600	71	H90135	1	Foot, Front, R-550/600
18	H98258	4	Grip, Foot, R-550/600	72	H88393	1	Screw, Mach, M5x10, R-550/600
19	H98285	2	Pin, Rear Joint, R-550/600	73	H98309	4	Screw, Mach, M6x30, R-550/600
20	H98287	2	Bolt, Front Joint, R-550/600	74	H98310	4	Washer, C'sunk, R-550/600
21	60018	1	Mount, Motor, Front, R-600	75	H98262	2	Bolt, Hex, M8x25, R-550/600
22	60019	1	Mount, Motor, Rear, R-600	76	H98263	2	Lockwasher, M8
23	60009	1	Cord Assy., w/GFCI, Elect, R-550/600	77	60006	1	Boot, Cam Switch, R-550/600
24	R04201343R	1	Bushing,Strn Rel.,Elect.Cord,R-550/600	78	H98333	4	Screw, Mach, M4x12, R-550/600
25	60025	4	Washer, Vibration Damping, R-600	79	H98352	4	Screw, Cap, M6x30, R-550/600
26	H98395	1	Boot, Clutch Lever, R-550/600	80	H98353	4	Washer, Flat, M6, DIN125, R-550/600
27	H98397	1	Grip, Clutch Lever, R-550/600	81	H88501	4	Locknut, M6, R-550/600
28	H98452	1	Shaft, Pivot, Clutch Lever, R-550/600	85	60002	1	Plate, Identification, R-550/600
29	H98451	1	Bolt, Locking Lever, R-550/600	87	R04203203R	4	Screw, Drive, I.D. Plate Attaching.
30	H98257	1	Cable Holder, R-600	88	60013	1	Label, ID, Rothenberger, R-600
31	H98270	2	Bearing, Flange, Frnt &Rear, R600	89	H90133	1	Tray, Plastic, R-600
32	H98260	2	Washer, Flat, A8.4, R-600		H88406	4	Screw, Tray Att., M4x10, R-600
33	H98276	1	Bearing, Thrust, R-600	90	H98350	8	Screw, S.Cover Att.,M6x16, R-550/600
34	H98280	1	Bearing, Needle, Front, R-600	91	H98351	13	Washer, Flat, M6, DIN9021,R-550/600
35	H98279	1	Bearing, Needle, Rear, R-600	92	H99079	1	Label, Lube Instruction, R-550/600
36	H98358	1	Plug, Hole, Plstc, R-550/600	103	H88582	1	Pin, Spring Retaining, R-550/600
37	H98290	1	Shield, Motor, Plstc, R600				
38	60008	1	Motor, 1/2 HP, 115V 60Hz 8.8A1725 rpm	N.S.	310450	1	Wrench, Open Ended, 10x13mm
40	H98351	1	Washer, Flat, M6, DIN9021,R-550/600	N.S.	60004	1	Label, Shipping Box
41	H98291	1	Screw, M6x16, R-500/600	N.S.	59018	1	Box, Shipping
43	H98295	1	Belt, Timing, R-600	N.S.	855155	1	Grease Gun
48	H98183	1	Plunger, Clutch Lever Lock, R-550/600	N.S.	M01988-3	1	Key, Hex, Short Arm, 3mm
49	60007	1	Switch, Cam, Rotary, R-550/600	N.S.	M01988-5	1	Key, Hex, Short Arm, 6mm
				N.S.	R20299989R	1	Manual, Operator's, R-550/600

N.S. : Not Shown