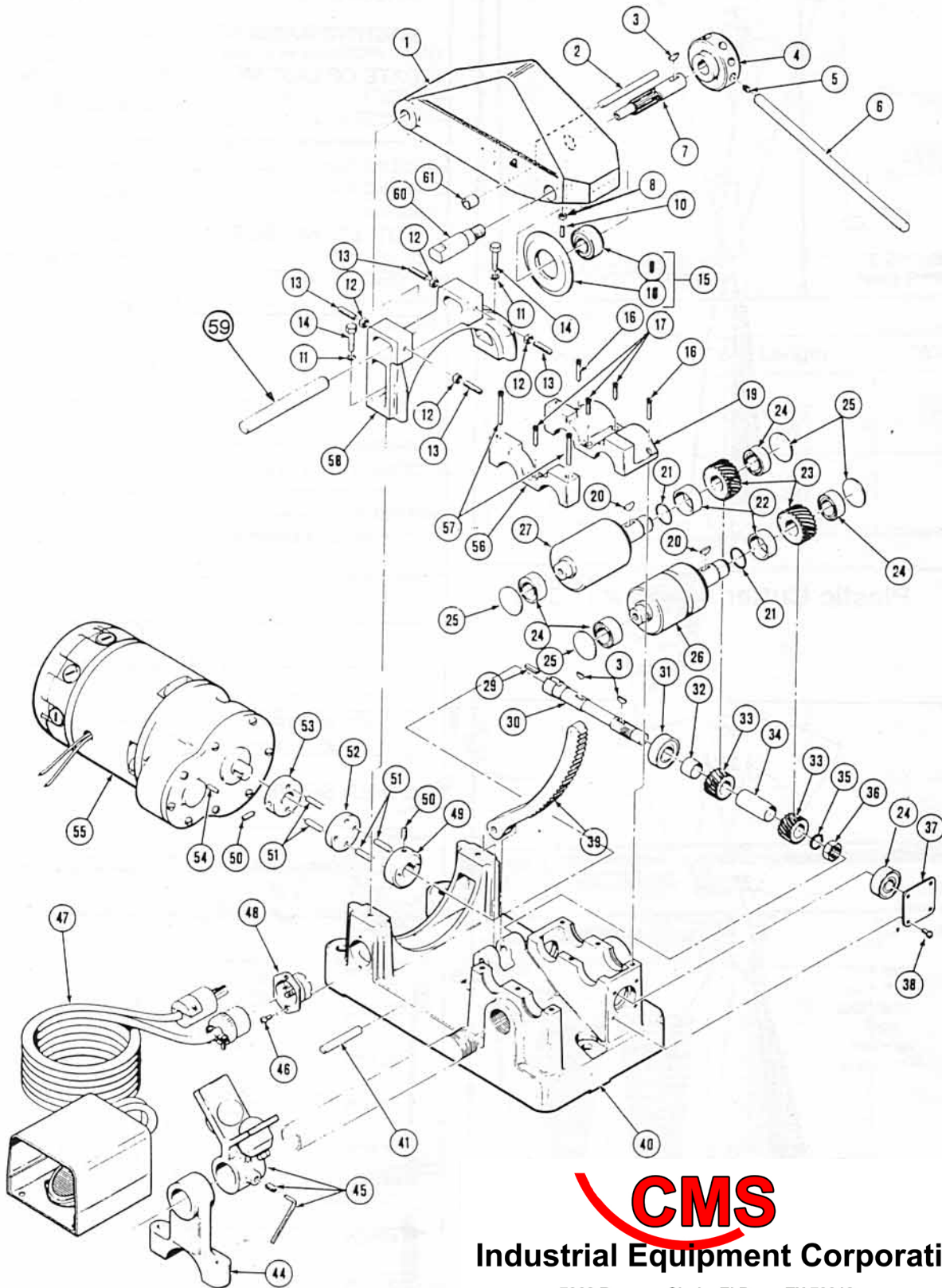


E-Z Cutter Main Assembly



CMS
Industrial Equipment Corporation

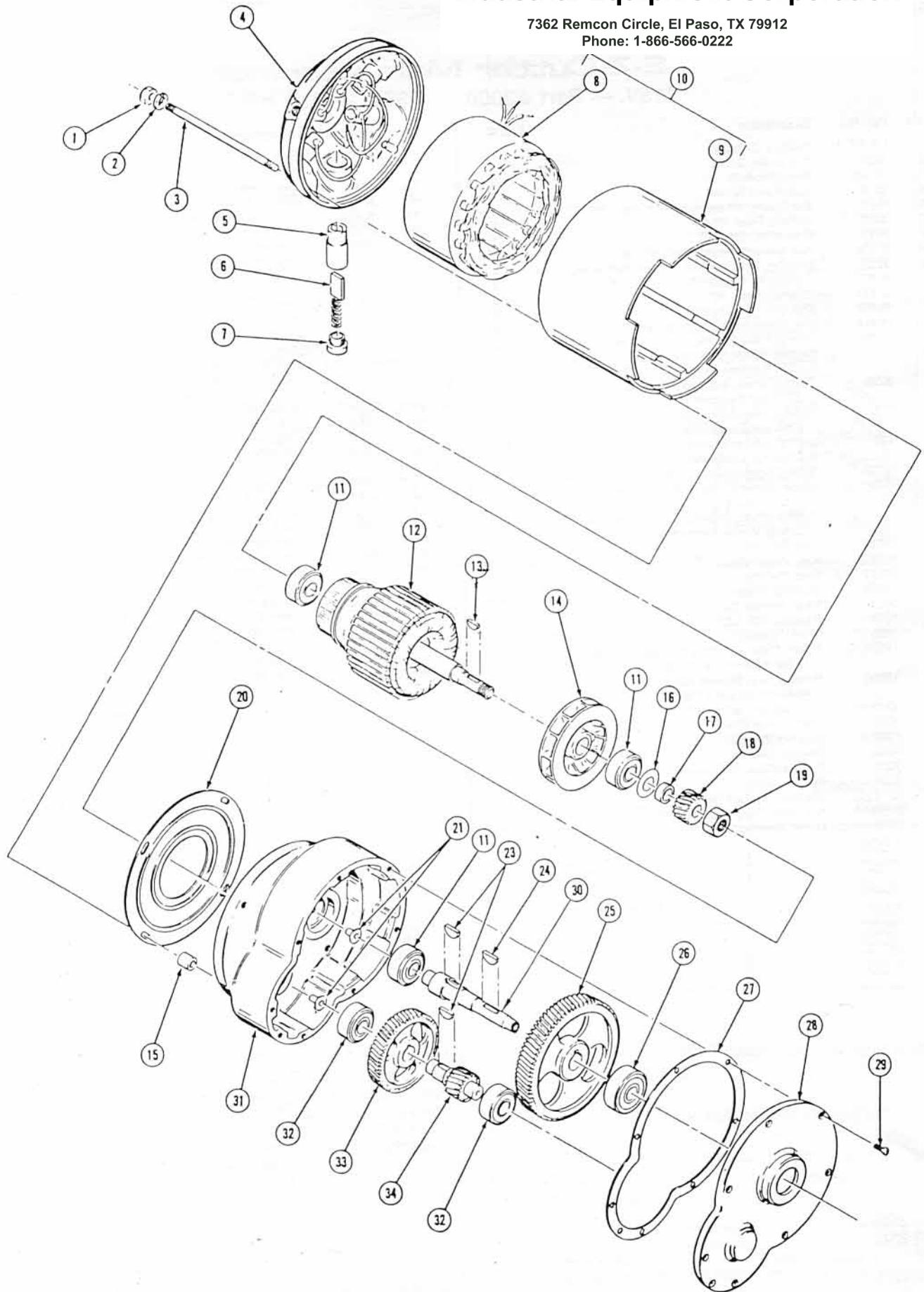
7362 Remcon Circle, El Paso, TX 79912
Phone: 1-866-566-0222

E-Z-Cutter Main Assembly
 115V. — Part #3000 230V. — Part #3000-1

Item	Part No.	Description	Req'd
1.	14321	Head, E-Z-Cutter	1
2.	3220	Pin, Roller Guide	1
3.	W-806	Key, Woodruff	3
4.	3216	Hub, Feed Wheel	1
5.	H-201	Set Screw, Wheel Hub,	1
6.	3218	Handle, Feed Wheel	1
7.	3443	Gearshaft, Spur, 8T	1
8.	B-102	Nut, Gearshaft Locking,	1
9.	3227	Bearing, Cutting Wheel — See Item #15	1
10.	H-207	Set Screw, Gearshaft Locking,	1
11.	C-111	Washer, Lock,	2
12.	B-202	Nut, Jam,	4
13.	H-312	Set Screw, Head Aligning,	4
14.	A-306	Screw, Yoke Att.,	2
15.	3221	Cutting Wheel Assembly, Pipe (Std. Equipment)	1
	3222	Cutting Wheel Assembly, Tubing (Optional Equipment)	
	3223	Cutting Wheel Assembly, Soil Pipe (Optional Equipment)	
	12597	Cutting Wheel Assembly, Plastic (Optional Equipment)	
16.	F-206	Screw, Bearing Cap,	2
17.	F-204	Screw, Bearing Cap, Soc. Hd. Cap	3
18.	—	Cutting Wheel, Various Types, See Item #15 Cutting Wheel Assemblies	
19.	12687	Cap, Bearing, R.H.	1
20.	W-808	Key, Woodruff	2
21.	13072	Seal, O-Ring	2
22.	13054	Bushing, Seal	2
23.	3022	Gear, Helical, 20T	2
24.	1018-1	Bearing,	5
25.	3025	Shield, Bearing	4
26.	12689	Roller, Drive, Grooved (Complete Grooved Roller Assembly #13070)	1
27.	12690	Roller, Drive, Smooth (Complete Smooth Roller Assembly #13071)	1
29.	3043-5	Key, Square,	1
30.	3031	Shaft, Roller Drive	1
31.	1392-1	Bearing,	1
32.	3035	Spacer, Bearing	1
33.	3032	Gear, Helical, 15T	2
34.	3034	Spacer, Gear	1
35.	CC-117	Washer, Starlock,	1
36.	B-259	Nut, Jam, Drive Shaft,	1
37.	3038	Cover, Bearing Shaft	1

Item	Part No.	Description	Req'd
38.	N-503	Screw, Bearing Cover, Self-Tap. Mach.	4
39.	3442	Gear Rack	1
40.	13069	Base Assembly w/Bearing Caps	1
41.	O-512	Pin, Pivot, Rack Gear	1
44.	3405	Support, Stationary	2
45.	13206	Support Assembly, Ball Bearing Type Each Assembly Includes	2
	13205	Body, Pipe Support, Ball Bearing Type (1)	
	13207	Caster, Ball Bearing (2)	
	B-203	Nut, Jam, 3/8"-16 Hex x 2	
	CA-111	Washer, Lock, 3/8" Int-Ext Tooth (2)	
	H-307	Set Screw,	
	1988-3	Wrench, Allen, Set Screw, :	
	13896	Lubricating Oil, Roll-R-Lube, 2 oz. (Not Shown) (1)	
46.	NF-305	Screw, #6-32 x 1/2" Pan Hd. Self-Tap	2
47.	14330	Foot Switch Assembly, Heavy Duty, 115V. or	1
	14331	Foot Switch Assembly, Heavy Duty, 230V.	
48.	13732	Connector, Receptacle, Elect. 115V. or	1
	13733	Connector, Receptacle, Elect. 230V.	
49.	3046	Coupling, Gear Shaft	1
50.	H-205	Set Screw,	2
51.	O-405	Pin, Coupling, Dowel,	4
52.	3048	Insert, Coupling	1
53.	3047	Coupling, Motor Shaft	1
54.	3043-4	Key, Square, Coupling,	1
55.	3300	Motor and Gear Case Assembly 115V. or	1
	3300-1	Motor and Gear Case Assembly 230V.	
56.	12688	Cap, Bearing, L.H.	1
57.	F-207	Screw, Bearing Cap, Hex. Soc.	2
58.	12686	Yoke, Motor	1
59.	3211	Bar, Hinge, Head Assembly	1
60.	3228	Screw, Shoulder, Cutting Wheel	1
61.	3441	Roller, Rack Guide	1


Industrial Equipment Corporation
 7362 Remcon Circle, El Paso, TX 79912
 Phone: 1-866-566-0222



PARTS LIST

E-Z-Cutter Motor and Gearbox Assembly

115V. — Part # 3300 230V. — Part # 3300-1

Item	Part No.	Description	Req'd	Item	Part No.	Description	Req'd
1.	B-101	Nut,	4	14.	1335	Fan, armature	1
2.	CB-202	Washer,	4	15.	1325	Retainer, stator baffle, neoprene	4
3.	1361	Tie Rod, motor	4	16.	1332	Spacer, slinger	2
4.	3350	End Bell Assembly (includes brush holders, but brushes and caps not included)	1	17.	1333	Spacer, 20-T helical gear	1
5.	1352	Holder, brush, electrical contact (included in Item 4, #3350)	6	18.	1336	Gear, helical, armature, 20-T	1
6.	1360-1	Brush, elect. contact (115V. & 230V.)	6	19.	1334	Nut, armature shaft	1
7.	1355	Cap, brush holder	6	20.	1323	Baffle, stator	1
8.	1321	Stator, 115V., single phase, or		21.	1383-1	Plug, gear case, plastic	2
	1311	Stator, 230V., single phase	1	23.	W-806	Key, woodruff, 1/4" x 3/4"	2
9.	1322	Housing, stator (115V. & 230V.)	1	24.	3043-4	Key, square 1/4"	1
10.	1320	Stator & Housing Assembly, 115V. single-phase or		25.	1394	Gear, helical, 96-T	1
	1315	Stator & Housing Assembly, 230V., single-phase	1	26.	1392-1	Bearing,	1
				27.	1381-1	Gasket, gear case housing	1
11.	1018-1	Bearing, gear case,	3	28.	1382	Cover, gear case housing	1
12.	1331	Armature, 115V., single phase, or		29.	K-1106	Screw, cover att.,	8
	1327	Armature, 230V., single phase	1	30.	3384	Shaft, output, gear box	1
13.	1338	Key, woodruff, 20-T helical gear	1	31.	1381	Housing, gear case	1
				32.	1337	Bearing,	2
				33.	1390	Gear, helical, 60-T	1
				34.	1395	Gearshaft, helical, 22-T	1



Industrial Equipment Corporation

7362 Remcon Circle, El Paso, TX 79912

Phone: 1-866-566-0222