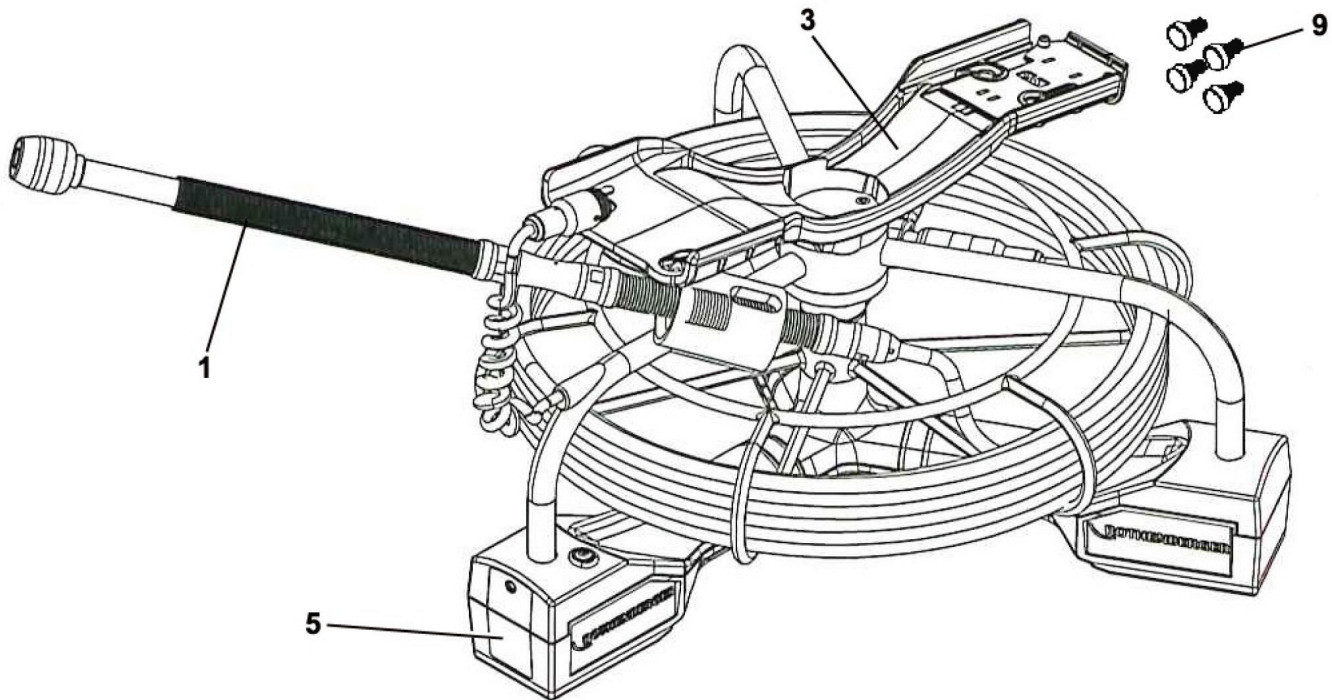


ROSCOPE i2000 Modul Pipe 25/16
No. 1000000842_1500000052

dated: 11/14



Item no.	Description	Article no.	Quantity	Price (€)
-	Module 25/16 carry case	1500000318	1	o.r.
1	Camera head 25/16 with cable	1500000310	1	o.r.
3	Module 25/16 Mounting plate	1500000314	1	o.r.
5	Module 25/16 Battery Door	1500000316	1	o.r.
9	ROSCOPE i20000 Magnets à 4 pcs.	1500000319	1	o.r.
10	i2000 Charger with adaptors for different countries	1500001227	1	o.r.

IMPORTANT! To assure safety and reliability, repairs, maintenance and adjustment must be preformed by ROTHENBERGER Kelkheim or authorized Service-Centers. Always use Original-Service-Parts. Order your accessories and spare parts from your specialist retailer or using our Service After Sales hotline


Industrial Equipment Company
 6112 North Mesa Street, Suite 127, El Paso, TX 79912
 Ph. 866-566-0222, Fax. 915-228-3777
www.cmstools.us

 **1**