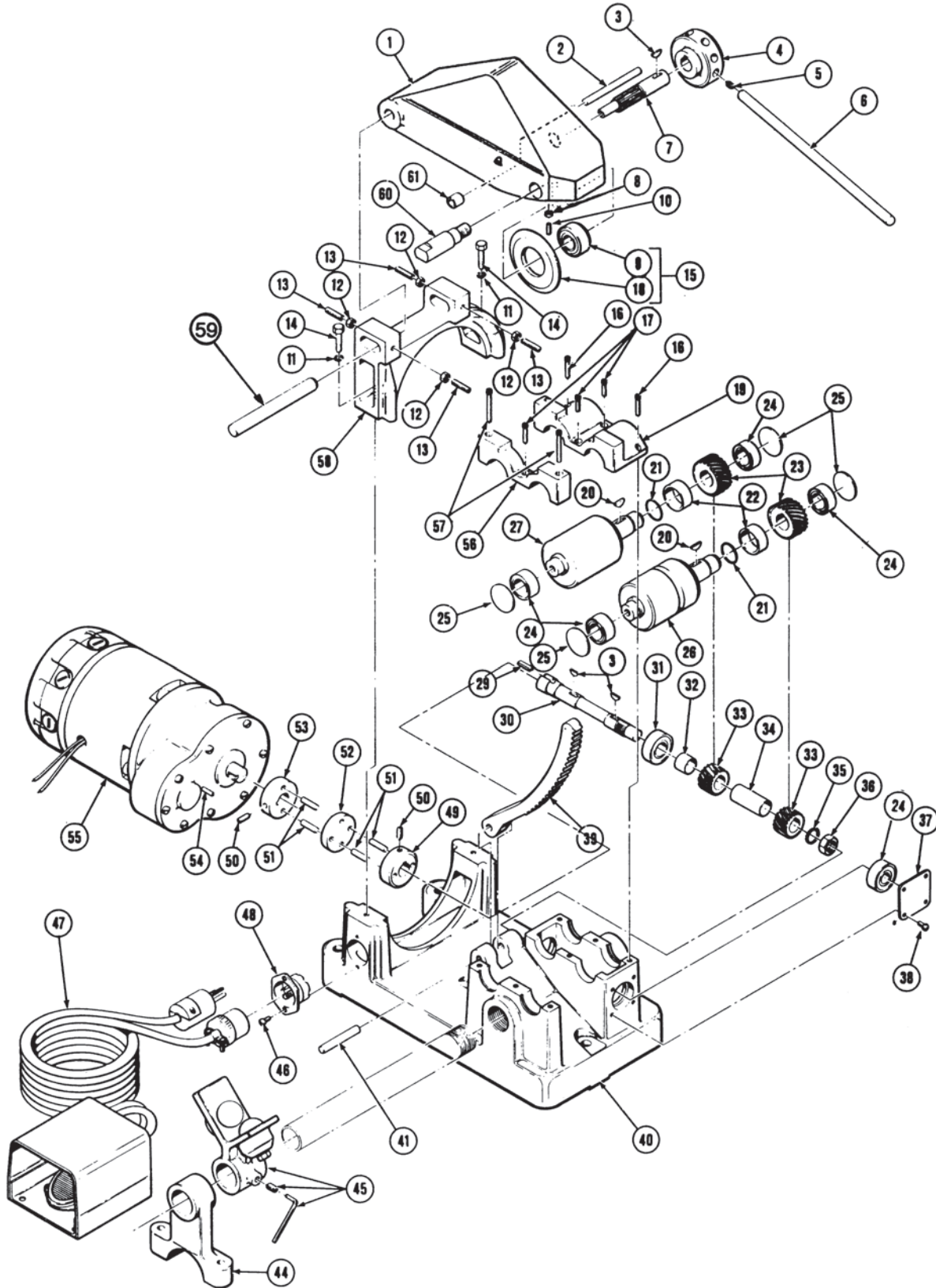


# E-Z Cutter Main Assembly



**PARTS LIST**

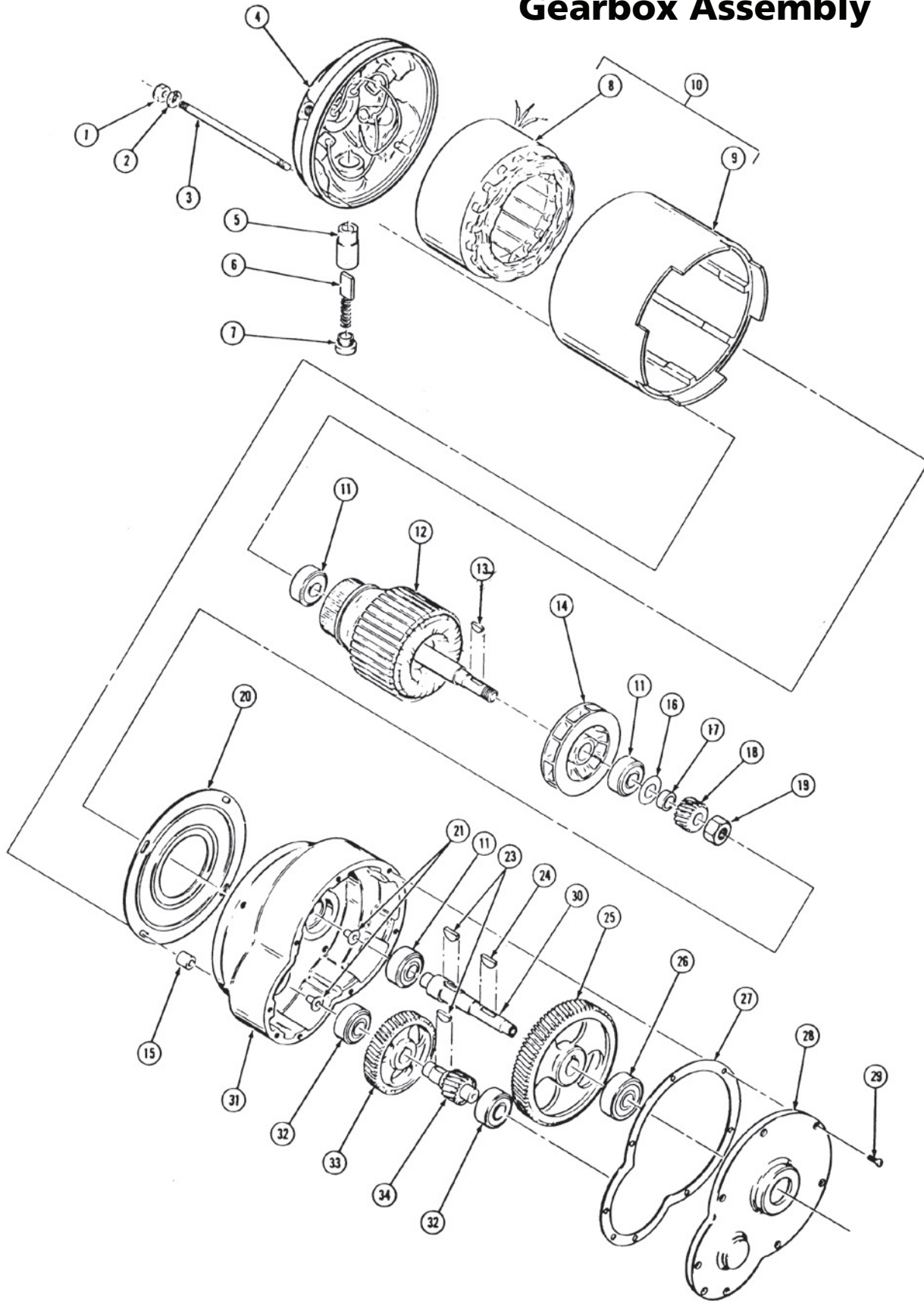
**E-Z Cutter Main Assembly**

**115 V. — PART #00032**

**230 V. — PART #00534**

Item	Part No.	Description	Req'd	Item	Part No.	Description	Req'd
1.	R04202079R	Head, E-Z Cutter .....	1	34.	R04201417R	Spacer, Gear .....	1
2.	03220	Pin, Roller Guide .....	1	35.	R04201083R	Washer, Starlock, .....	1
3.	R04201268R	Key, Woodruff.....	3	36.	R04201061R	Nut, Jam, Drive Shaft, .....	1
4.	R04201426R	Hub, Feed Wheel .....	1	37.	R04201419R	Cover, Bearing Shaft .....	1
5.	R04201159R	Set Screw, Wheel Hub, .....	1	38.	R04201222R	Screw, bearing Cover, Self-Tap. Mach. ....	1
6.	R04201427R	Handle, Feed Wheel.....	1	39.	R04201449R	Gear Rack 1	
7.	R04201450R	Gearshaft, Spur, 8T.....	1	40.	R04201846R	Base Assembly w/Bearing Caps .....	1
8.	R04201035R	Nut, Gearshaft Locking, .....	1	41.	R04201238R	Pin, Pivot, Rack Gear.....	1
9.	R04201428R	Bearing, Cutting Wheel — See Item #15		44.	00036	Support, Stationary .....	2
10.	R04201163R	Set Screw, Gearshaft Locking, .....	1	45.	00069	Support Assembly, Ball Bearing Type.....	2
11.	CC-111-AP	Washer, Lock, .....	2	Each Assembly Includes:			
12.	R04201053R	Nut, Jam, .....	4	R04201890R	Body, Pipe Support, Ball Bearing Type (1)		
13.	R04201172R	Set Screw, Head Aligning, .....	4	R04201891R	Castor, Ball Bearing (2)		
14.	R04201014R	Screw, Yoke Att., .....	2	R04201054R	Nut, Jam, (2)		
15.	00034	Cutting Wheel Assembly, Pipe (Std. Equipment).....	1	CC-111-AP	Washer, Lock, (2)		
	00035	Cutting Wheel Assembly, Tubing (Optional. Equipment) .....		R04201054R	Set Screw, (1)		
	00535	Cutting Wheel Assembly, Soil Pipe		R04201170R	Wrench, Allen, (1)		
16.	R04201121R	Screw, Bearing Cap, Soc. Hd. Cap .....	2	46.	R04201220R	Screw, .....	2
17.	R04201120R	Screw, Bearing Cap, " Soc. Hd. Cap .....	3	47.	00079	Foot Switch Assembly, Heavy Duty, 115V. or .....	1
18.	—	Cutting Wheel, Various Types, See Item #15 Cutting Wheel Assemblies		02350	Foot Switch Assembly, Heavy Duty, 230V. or		
20.	R04201270R	Key, Woodruff.....	2	48.	R04202018R	Connector, Receptacle, Elect. 115V. or.....	1
21.	R04201849R	Seal, O-Ring .....	2	R04202019R	Connector, Receptacle, Elect. 230V.		
22.	R04201837R	Bushing, Seal .....	2	49.	R04201422R	Coupling, Gear Shaft.....	1
23.	R04201412R	Gear, Helical, 20T .....	2	50.	R04201161R	Set Screw, .....	2
24.	R04202245R	Bearing, .....	5	51.	R04201230R	Pin, Coupling, Dowel, .....	4
25.	R04201414R	Shield, Bearing.....	4	52.	R04201424R	Insert, Coupling.....	1
26.	R04201776R	Roller, Drive, Grooved (Complete Grooved Roller Assembly #13070) .....	1	53.	R04201423R	Coupling, Motor Shaft .....	1
27.	R04201777R	Roller, Drive, Smooth (Complete Smooth Roller Assembly #13071) .....	1	54.	03043-4	Key, Square, Coupling, .....	1
29.	03043-5	Key, Square, .....	1	55.	R04201430R	Motor and Gear Case Assembly 115V. or .....	1
30.	R04201415R	Shaft, Roller Drive .....	1	R04203108R	Motor and Gear Case Assembly 230V.		
31.	R04201364R	Bearing, .....	1	56.	R04201775R	Cap, Bearing, L.H.....	1
32.	R04201418R	Spacing, Bearing .....	1	57.	R04201122R	Screw, Bearing Cap, Hex. Soc. ....	2
33.	R04201416R	Gear, Helical, 15T .....	2	58.	R04201846R	Yoke, Motor.....	1
				59.	R04201425R	Bar, Hinge, Head Assembly.....	1
				60.	R04201429R	Screw, Shoulder, Cutting Wheel.....	1
				61.	R04201448R	Roller, Rack Guide.....	1

# E-Z Cutter Motor and Gearbox Assembly



**PARTS LIST**

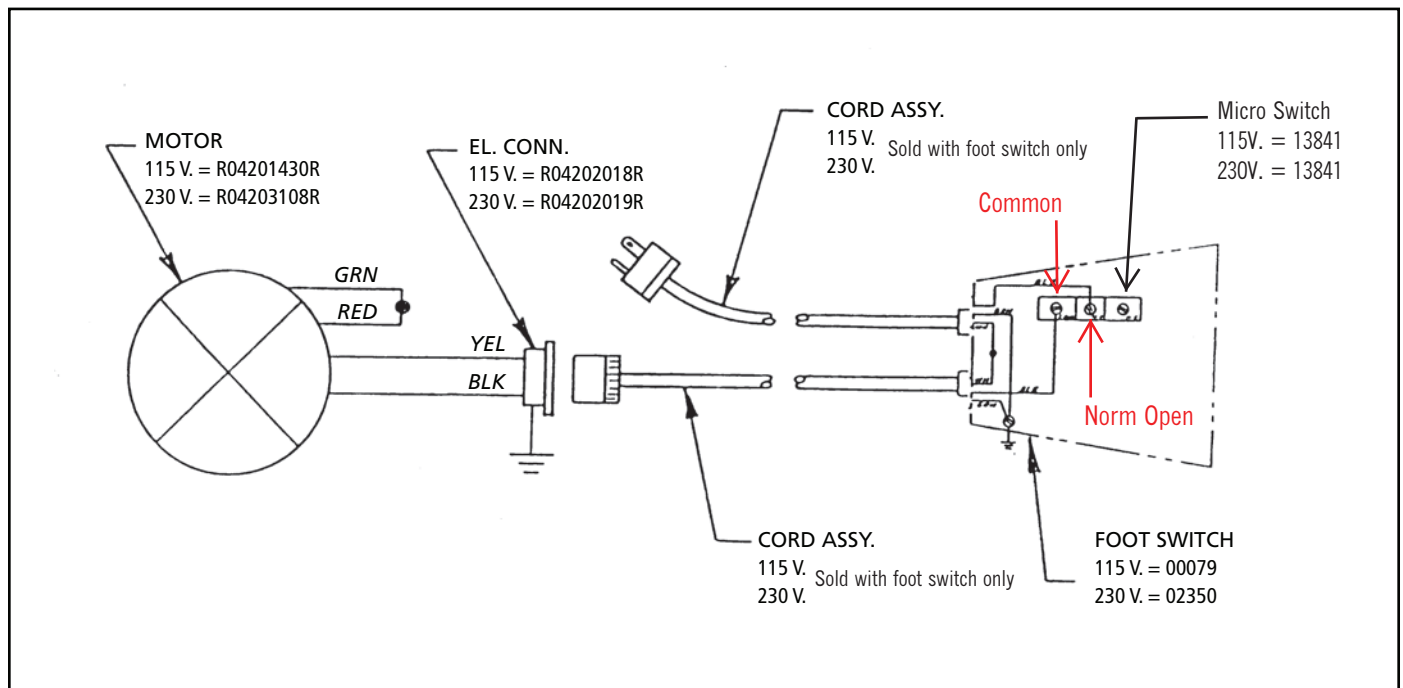
**E-Z Cutter Motor and Gearbox Assembly**

**115 V. — PART #R04201430R**

**230 V. — PART #R04203108R**

Item	Part No.	Description	Req'd	Item	Part No.	Description	Req'd
1.	R04201034R	Nut, .....	4	14.	R04201331R	Fan, armature.....	1
2.	R04203209R	Washer, Lock .....	4	15.	R04201325R	Retainer, stator baffle, neoprene.....	4
3.	R04201341R	Tie Rod, Motor .....	4	16.	R04201328R	Space, slinger.....	2
4.	R04201432R	End Bell Assembly (includes brush holders, but brushes and caps not included).....	1	17.	R04201329R	Spacer, 20-T helical gear.....	1
5.	R04201337R	Holder, brush, electrical contact (included in Item 4, R04201432R).....	6	18.	R04201332R	Gear, helical, armature shaft, 20-T.....	1
6.	R04201340R	Brush, elect. contact (115V. & 230V.).....	6	19.	R04201330R	Nut, armature shaft .....	1
7.	R04201338R	Cap, brush holder.....	6	20.	R04201324R	Baffle, stator .....	1
8.	01321	Stator, 115V., single phase or		21.	R04201347R	Plug, gear case, plastic.....	2
	R04201320R	Stator, 230V., single phase .....	1	23.	R04201268R	Key, woodruff, .....	2
9.	R04201323R	Housing, stator (115V. & 230V.).....	1	24.	3043-4	Key, square .....	1
10.	R04201322R	Stator & Housing Assembly, 115V. single-phase or		25.	R04201354R	Gear, helical, 96-T .....	1
	R04201321R	Stator & Housing Assembly, 230V. single-phase.....	1	26.	R04201364R	Bearing, .....	1
11.	R0420245R	Bearing, gear case, .....	3	27.	R04201345R	Gasket, gear case housing .....	1
12.	01330	Armature, 115V., single phase, or		28.	R04201346R	Cover, gear case housing .....	1
	01330-1	Armature, 230V., single phase .....	1	29.	R04201206R	Screw, cover att., .....	8
13.	R04201265R	Key, woodruff, 20-T helical gear.....	1	30.	R04201442R	Shaft, output, gear box.....	1
				31.	R04201344R	Housing, gear case.....	1
				32.	R04201333R	Bearing, .....	2
				33.	R04201351R	Gear, helical, 60-T .....	1
				34.	R04201355R	Gearshaft, helical, 22-T.....	1

**WIRING DIAGRAM**



# ROTHENBERGER LIFETIME WARRANTY

ROTHENBERGER USA LLC warrants our products against defects in material and workmanship for the life of the product. Warranty coverage ends when the product becomes unusable for reasons other than defects in material and workmanship. This warranty covers replacement or repair of defective parts for the lifetime of the products provided that failure is not due to abuse, misuse, abnormal use, neglect or normal wear and tear. Lifetime warranty excludes motors, switches,

and electrical parts, which are warranted for a period of one

year from the date of sale. Warranty is null and

void if maintenance instructions and operating

procedures are not followed or if product

has been repaired or altered outside

ROTHENBERGER or our authorized

service centers. No other warranty

shall apply. This warranty is in lieu

of other warranties, expressed

or implied, of merchantability,

fitness for a particular purpose,

performance or otherwise.

Products returned must be approved

in advanced and returned freight

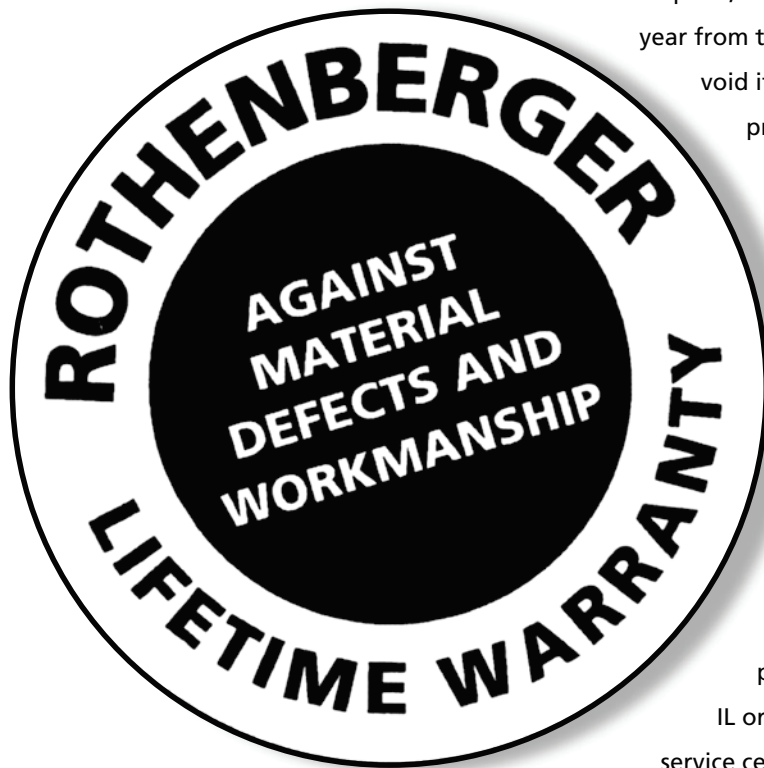
prepaid to ROTHENBERGER, Loves Park,

IL or to a ROTHENBERGER independent

service center. Hand tools should be returned to

the place of purchase. ROTHENBERGER or their approved

independent service center will decide whether a returned product is covered by this limited warranty. ROTHENBERGER liability does not extend beyond the repair or replacement of its product as warranted above. In no event shall ROTHENBERGER be liable for claims based upon breach of expressed or implied warranty, negligence or otherwise for any damages whether direct, immediate, incidental, foreseeable, consequential, or special.



**Industrial Equipment Company**

6112 N. Mesa St. #127, El Paso, TX 79912

Ph: 1-866-566-0222