



# THRED-O-MATIC "66-A" MAIN ASSEMBLY



**Industrial Equipment Company**

6112 North Mesa Street, Suite 127, El Paso, TX 79912  
Ph. 866-566-0222, Fax. 915-228-3777  
www.cmstools.us

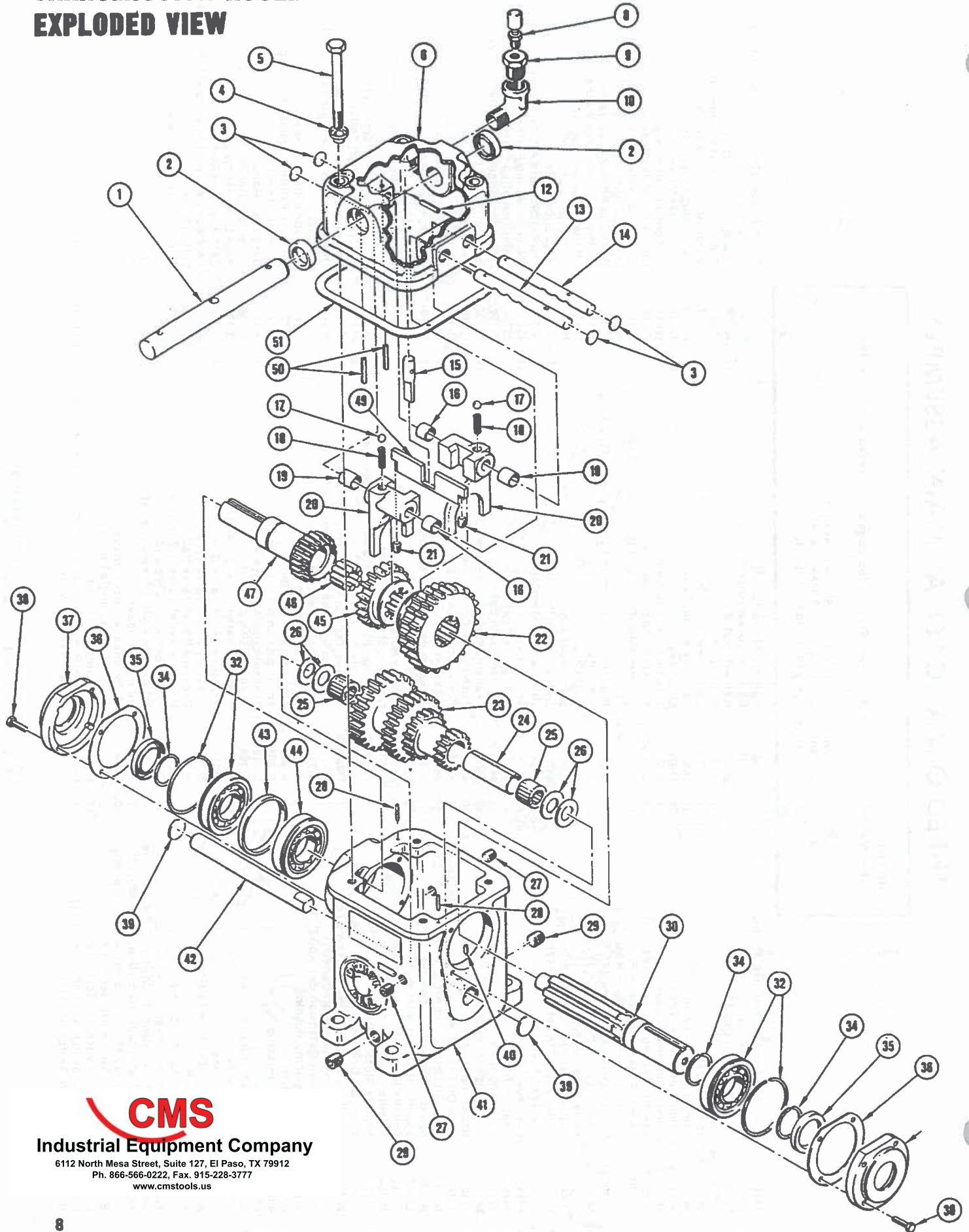
**NOTE:**

For Machines Measuring 34 1/4" from Floor to Top Edge at Carriage End of Base Use:

- |     |          |   |
|-----|----------|---|
| 41. | 4752     | Transmission Drive Belt, Single Phase (2) |
|     | 4753     | Transmission Drive Belt, Three Phase (2)  |
| 54. | 15351-26 | Oil Hose, Pump Outlet to Oil Tube Housing |

- |     |         |   |     |          |   |     |        |  |
|-----|---------|---|-----|----------|---|-----|--------|--|
| 1.  | 3404    | Rear Jaw Housing Adapter Thumb Screw          | 34. | F-206    | Rail Att. Screw (8)                                     | 63. | A-308  | Single Phase, 220 V. 60 Cycle, 3 H.P. 1800 RPM           |
| 2.  | 6760    | Spindle Cover Assy.                           |     | C-110    | Rail Att. Lockwasher (8)                                |     | D-104  | 254 Frame Motor  |
|     | 13734   | Lubricating Oil Cup (2)                       |     | B-102    | Rail Att. Nut (8)                                       |     | C-111  | Motor Anchor Bolt (4)                                    |
|     | 13734   | Oil Cup Elbow (2)                             | 35. | 4049     | Rail (2)  |     | B-103  | Motor Anchor Flat Washer (4)                             |
| 5.  | 6612    | Spindle Gear                                  | 36. | P-708    | Carriage Pinion Pin                                     |     | 12046  | Motor Anchor Lock Washer (4)                             |
| 6.  | 6626    | Spindle Block — Front                         | 37. | 4617     | Carriage Pinion Gear                                    | 64. | 12057  | Motor Anchor Nut (4)                                     |
| 7.  | 6611    | Spindle Bearing — Front                       | 38. | 15870    | Chip Tray   |     | F-108  | Oil Control Valve Assy.                                  |
|     | 6611    | Spindle Bearing — Rear                        | 39. | 4755     | Transmission Sheave Bushing                             |     | B-101  | Oil Control Valve Assy Bracket (2)                       |
|     | J-906   | Spindle Bearing Att. Screw (8)                | 40. | 6665     | Transmission Sheave                                     |     | D-103  | Oil Control Valve Assy Att. Screw (4)                    |
| 8.  | YRS1075 | Spindle Retaining Ring — Front                | 41. |          | Transmission Drive Belt (single phase) (3),<br>See Note | 65. | A-207  | Oil Control Valve Assy Att. Nut (4)                      |
|     |         | Spindle Retaining Ring — Rear                 |     | 4763     | Transmission Drive Belt (three phase) (3),<br>See Note  |     | D-103  | Oil Pump Anchor Bolt (4)                                 |
| 9.  | N-702-H | Spindle Cover Att. Screw (4)                  |     |          |   |     | C-110  | Oil Pump Anchor Flat Washer (4)                          |
| 10. | 6840    | Wheel Type Cutter Assy.*                      |     |          |   |     | B-102  | Oil Pump Anchor Lock Washer (4)                          |
|     |         | Knife Type Cutter Assy.*                      | 42. | 4420     | Shift Lever   | 66. | 15371  | Oil Pump Anchor Nut (4)                                  |
|     |         | Cutter Pivot Pin                              | 43. | P-9061-A | Shift Lever Pin   | 66. | 15371  | Oil Pump   |
| 11. | 4654-2  | Cutter Pivot Pin Set Screw (2)                | 44. | 6622     | Shift Lever Extension                                   | 67. | 4240-1 | Inspection Plate   |
| 12. | H-205   | Die Head Assy.*                               | 45. | 4421     | Shift Lever Extension Pin                               |     | N-503  | Inspection Plate Att. Screw (4)                          |
| 13. |         | Carriage Assy.*                               | 46. | 6662     | Transmission  | 68. | 4330   | Motor Mounting Plate                                     |
| 14. | 6780    | Reamer Assy.*                                 | 47. | 4411     | 21 T. Drive Gear  |     | 4331   | Motor Mounting Plate Shaft                               |
| 15. | 6820    | Retaining Ring                                | 48. | 4424     | Transmission Bearing (2)                                |     | T-129  | Motor Mounting Shaft Cotter Pin (2)                      |
| 16. | 4215    | Jaw Housing Adapter — Rear                    | 49. | 4675     | Transmission Pillow Block (2)                           | 69. | B-107  | Belt Adj. Nut (2)  |
| 17. | 6661    | Brake Band Assy.                              | 50. | 4313     | Push Button Control Switch                              |     | D-108  | Belt Adj. Washer   |
| 18. | 6740    | Rear Oil Drip Shield — Rear Spindle Block     |     | K-961    | Push Button Control Switch Att. Screw (6)               | 70. | U-926  | Carriage Handle Pin, 1/4x3"                              |
| 19. | 4207    | Rear Oil Drip Shield Att. Screw (2)           | 51. | 4680     | Make-on Bar   | 71. | 4622   | Carriage Feed Wheel                                      |
|     | N-503   | Spindle Block Att. Screw (8)                  |     | E-205    | Make-on Bar Att. Screw (3)                              | 72. | 17549  | Carriage Feed Rod  |
| 20. | A-408   | Spindle Block Att. Flat Washer (8)            | 52. | 4513     | Oil Hose Fitting (8)                                    | 73. | 4145   | Base Assy.   |
|     | D-205   | Spindle Block Att. Lock Washer (8)            | 53. | A-104    | Spindle Adjusting Screw                                 | 74. | 4566   | Oil Tube Fitting Inside "O" Ring                         |
|     | C-112   | Spindle Block Att. Nut (8)                    | 54. | 15351-13 | Oil Hose, Strainer to Control Valve                     | 75. | 4087   | Oil Drip Shield  |
|     | B-104   | Spindle Block — Rear                          |     | 15351-21 | Oil Hose, Pump Outlet to Oil Tube Housing,<br>See Note  |     | N-503  | Oil Drip Shield Att. Screw (4)                           |
| 21. | 6627    | Front Oil Drip Shield — Rear Spindle Block    |     |          | Oil Hose, Control Valve to Pump Intake                  | 76. | 4618   | Carriage Feed Rod Collar                                 |
| 22. | 4206    | Front Oil Drip Shield Att. Screw (2)          |     |          | Oil Hose, Oil Tube Housing to Relief Valve              |     | H-202  | Carriage Feed Rod Collar Set Screw                       |
|     | N-503   | Breakdown Extension Bar Assy.                 |     | 15351-23 | Transmission Bearing Bushing (2)                        | 77. | 4064   | Oil Reservoir Baffle Plate (Std. Eqpt. on Mobile Models) |
| 23. | 4033    | Breakdown Extension Bar Roll Pin              |     | 15351-12 | Set Screw, Bushing                                      | 78. | 4567   | Oil Tube Fitting Washer                                  |
|     | 1030-3  | Pipe Reducing Bushing                         | 55. | 4425     | Transmission Att. Bolt                                  | 79. | 4572   | Oil Tube Fitting Outside "O" Ring                        |
| 24. | 4569    | Pipe Elbow                                    |     | H-153    | Transmission Att. Flat Washer                           | 80. | 4514   | Oil Hose Clamp (8)                                       |
| 25. | 4044    | Oil Tube Housing                              | 56. | A-407    | Transmission Att. Lock Washer                           | 81. | 4015   | Base Door Handle   |
| 26. | 4540-1  | Pipe Tee                                      |     | D-105    | Transmission Att. Nut                                   |     | K-956  | Base Door Handle Att. Screw (4)                          |
| 27. | 6731    | Oil Tube Fitting Jam Nut                      |     | C-112    | Pressure Relief Valve Assembly                          |     | B-133  | Base Door Handle Att. Nut (4)                            |
| 28. | B-260   | Spindle Assy.                                 | 57. | 4630     | Pressure Relief Valve Spring                            | 82. |        | Carriage Feed Rod Bearing (2)                            |
| 29. | 6720    | Strainer Assy.                                |     | 4631     | Pressure Relief Valve Ball                              |     | F-105  | Carriage Feed Rod Bearing Att. Screw (6)                 |
| 30. | 4550    | Telescopic Oil Tube Fitting                   |     | 4632     | Pressure Relief Valve Adj. Screw                        | 84. | 6762   | Splash Guard   |
| 31. | 4770    | Junction Box                                  |     | 4633     | Pillow Block Att. Screw (4)                             |     | N-503  | Splash Guard Att. Screw                                  |
| 32. | 4356    | Junction Box Att. Screw                       |     | 4638     | Pillow Block Att. Lockwasher (4)                        |     |        |  |
|     | N-702-H | Junction Box Cover                            | 58. | F-509    | Oil Pump Sheave   |     |        |  |
|     | 4357    | Single Phase Magnetic Switch, 220 V. 60 Cycle |     | C-113    | Motor Sheave, Three Phase                               |     |        |  |
|     | 13073   | Three Phase Magnetic Switch, 220 V. 60 Cycle  | 59. | 6785     | Motor Sheave, Single Phase                              |     |        |  |
|     | 4321    | Three Phase Magnetic Switch, 440 V. 60 Cycle  | 60. | 15704    | Oil Pump Drive Belt                                     |     |        |  |
|     | E-103   | Magnetic Switch Att. Screw (2)                |     |          | Three Phase, 220-440 V. 60 Cycle, 5 H.P. 1800 RPM       |     |        | *See Detailed Schematic                                  |
|     | C-109   | Magnetic Switch Att. Screw (2)                | 61. | 6786     | 213 Frame Motor   |     |        |  |
|     | C-109   | Magnetic Switch Att. Lockwasher (2)           | 62. | 13051    |   |     |        |  |
|     | B-101   | Magnetic Switch Att. Nut (2)                  |     |          |   |     |        |  |

# TRANSMISSION ASSEMBLY NO. 6662 - EXPLODED VIEW



**CMS**  
**Industrial Equipment Company**  
 6112 North Mesa Street, Suite 127, El Paso, TX 79912  
 Ph. 866-566-0222, Fax. 915-228-3777  
 www.cmstools.us

# TRANSMISSION ASSEMBLY NO. 6662

## - PARTS

1. 13401	Shaft, Shifter	26. 13422	Washer, Thrust (4)
2. 13402	Seal, Oil (2)	27. 13423	Plug, Pipe, 1/8"-27 NPT (2)
3. 13403	Plug, Expansion (2)	28. O-104	Pin, Dowel, 1/8"x3/4" Lg. (2)
4. 13404	Seal, Oil, Cover Bolt (4)	29. 13424	Plug, Pipe, 1/4"-18 NPT
5. A-317	Bolt, Cover Att., Hex. Hd., 3/8-16x4" Lg. (4)	30. 13425	Shaft, Spine
6. 13405	Cover, Housing	32. 13427	Bearing, Ball w/Ret. Ring
8. 13407	Valve, Breather	34. 13429	Ring, Retaining (3)
9. 13408	Reducer, Pipe, 1/2" Male x 1/8" Female NPT	35. 13430	Seal, Oil (2)
10. 13409	Elbow, Pipe, Street, 1/2" x 90°	36. 13431	Gasket, Retainer Plate (2)
12. U-416	Pin, Spring, 1/8" x 1 1/8" Lg.	37. 13432	Retainer Plate (2)
13. 13410	Rod, Shifter, High	38. A-205	Bolt, Retainer Plate Att., Hex. Hd, 5/16-18x1" Lg. (9)
14. 13411	Rod, Shifter, Low	39. 13433	Plug, Expansion (2)
15. 13412	Finger, Shifter	40. H-106-D	Setscrew, 1/4-20x1/2" Lg.
16. 13413	Bushing, Shifter Fork (2)	41. 13434	Housing
17. 13414	Ball, Shifter Lock (2)	42. 13435	Countershaft
18. 13415	Spring, Shifter Lock (2)	43. 13436	Spacer, Bearing
19. 13416	Bushing, Shifter Fork (2)	44. 13437	Bearing, Ball
20. 13417	Fork, Shifter (2)	45. 13438	Gear, High
21. H-305-A	Setscrew, Guide Bar, 3/8-16x1/2" Lg. (2)	46. 13439	Bearing, Needle
22. 13418	Gear, Low	47. 13440	Gearshaft, Pinion -16T.
23. 13419	Gear, Cluster	49. 13441	Guide Bar
24. 13420	Spacer, Cluster Bearing	50. U-916	Pin, Spring, 1/4x1 1/8" Lg. (2)
25. 13421	Bearing, Cluster Gear	51. 13442	Gasket, Cover



### Industrial Equipment Company

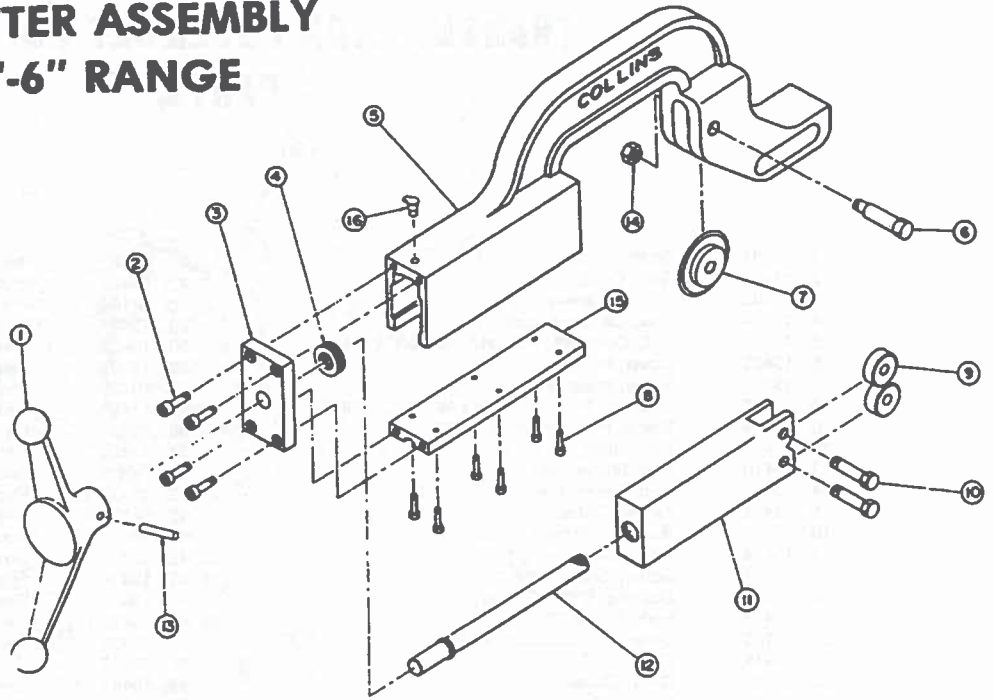
6112 North Mesa Street, Suite 127, El Paso, TX 79912

Ph. 866-566-0222, Fax. 915-228-3777

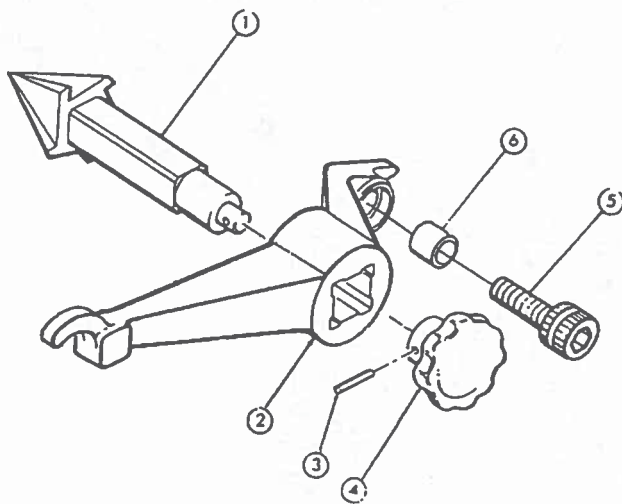
[www.cmstools.us](http://www.cmstools.us)

# WHEEL TYPE CUTTER ASSEMBLY NO. 6840 2½"-6" RANGE

- 1. 4711 Handle, Cutter
- 2. F-107 Screw, Front Plate Att., ¼"-20x1"
- 3. 4652 Front Plate
- 4. 4656 Bearing, Thrust
- 5. 6649 Body, Cutter
- 6. 4126 Screw, Cutter Wheel
- 7. 4121 Wheel, Cutter
- 8. F-063 Screw, Bottom Plate., 10-32x¾"
- 9. 4117 Soc. Hd. Cap (6)
- 10. 1124 Roller, Cutter (2)
- 11. 4651 Roller Block
- 12. 4103 Screw Cutter
- 13. P-9061-A Pin, Handle Att., ¼"x1½" Grooved
- 14. B-103 Nut, Cutter Wheel Att., ¾-16 Hex
- 15. C-111-M Lock Washer, Cutter Wheel Att., ¾"
- 16. 4653 Bottom Plate
- 17. 1023-22 Oil Cut



# Adjustable Cone Reamer Assembly # 10060

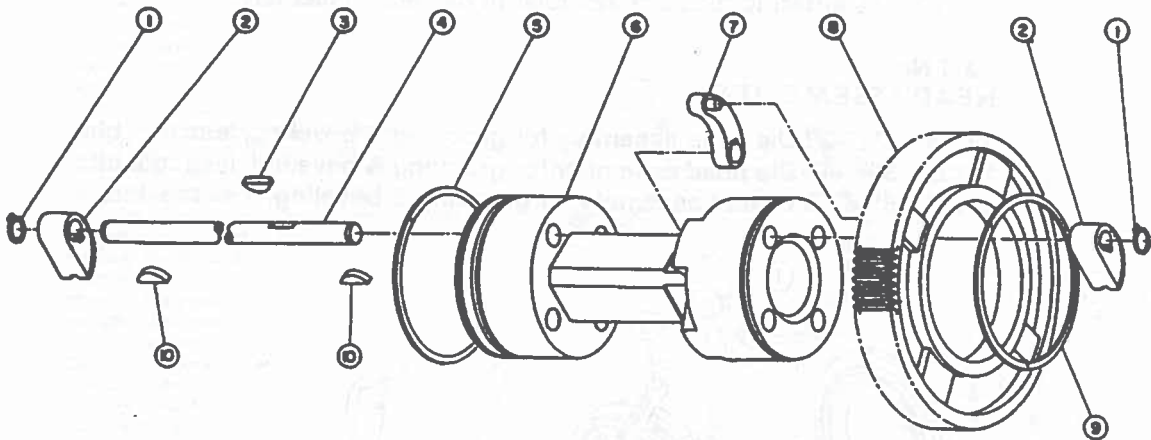


- 1. 13212 Reamer, Cone, 5-Flute
- 2. 10065 Holder, Cone Reamer
- 3. P-707-A Pin, Grooved, Knob Att., 3/16"x1¼" Lg.
- 4. 1652 Knob, Cone Reamer
- 5. F-607-S Screw, Reamer Att., ¾-11x1½" Lg., Soc. Hd. Cap
- 6. 2139-1 Spacer, Reamer Att.

**CMS**  
**Industrial Equipment Company**

6112 North Mesa Street, Suite 127, El Paso, TX 79912  
Ph. 866-566-0222, Fax. 915-228-3777  
[www.cmstools.us](http://www.cmstools.us)

## SPINDLE ASSEMBLY NO. 6720



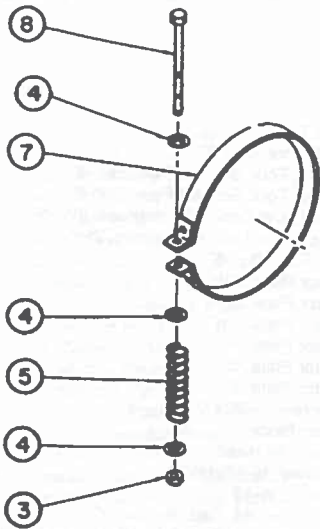
- |               |                              |              |                                |
|---------------|------------------------------|--------------|--------------------------------|
| 1. Y-5100-100 | Jaw Retaining Ring (8)       | 6. 6625      | Spindle                        |
| 2. 6751       | Jaw (8)                      | 7. 4212      | Jaw Lever and Pin Assembly (4) |
| 12875         | Jaw Set, R&L (8)             | 8. 6612      | Spindle Gear                   |
| 3. W-810      | Jaw Lever Key (4)            | 9. YKSA-1075 | Spindle Retaining Ring, Front  |
| 4. 4211       | Jaw Shaft (4)                | 10. W-810    | Jaw Key (8)                    |
| 5. YKSA-1075  | Spindle Retaining Ring, Rear |              |                                |



### Industrial Equipment Company

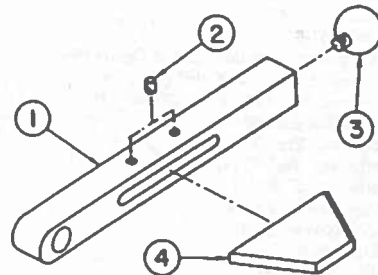
6112 North Mesa Street, Suite 127, El Paso, TX 79912  
Ph. 866-566-0222, Fax. 915-228-3777  
[www.cmstools.us](http://www.cmstools.us)

## BRAKE-BAND ASSEMBLY NO. 12582



- |             |                           |
|-------------|---------------------------|
| 3. B-103    | Adjustment Nut            |
| 4. DA-104-W | Spring Flat Washer        |
| 5. 4263     | Spring, Compression       |
| 7. 12583    | Brake Shoe & Lining Assy. |
| 8. 4261-1   | Adjustment Bolt           |

## BLADE REAMER ASSEMBLY NO. 6820 2½"-6" RANGE



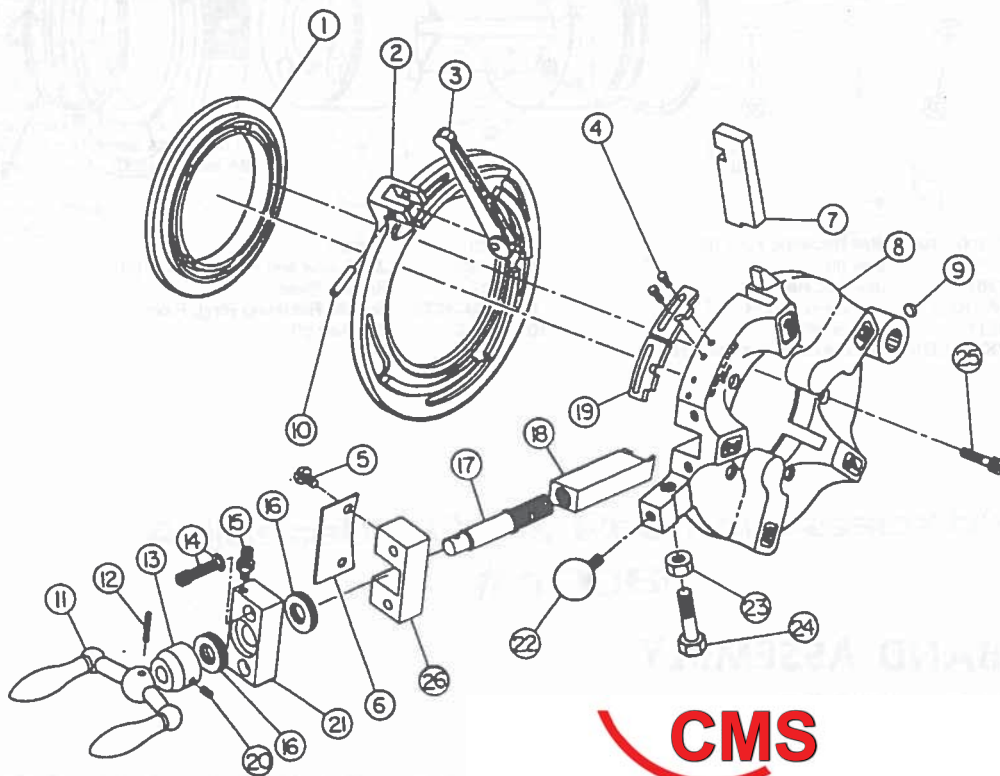
- |            |                                     |
|------------|-------------------------------------|
| 1. 6617-1  | Holder Reamer                       |
| 2. H-305-D | Set Screw, Reamer Att., ¾-16x½" (2) |
| 3. 4943-1  | Handle, Reamer                      |
| H-508-D    | Set Screw, Handle Att., ½-13x1¼"    |
| 4. 12237   | Reamer, Inside, 2½"-4"              |
| 12238      | Reamer, Inside, 5"-6"               |

# GROOVER HEAD ASSEMBLIES

NOTE: Centering dies are included in die head assembly.

## Part No. HEAD ASSEMBLIES

- 12124 2½"-3" Die head assembly for grooving & beveling, less tool bits  
 12125 3½"-4" Die head assembly for grooving & beveling, less tool bits  
 12107 5"-6" Die head assembly for grooving & beveling, less tool bits



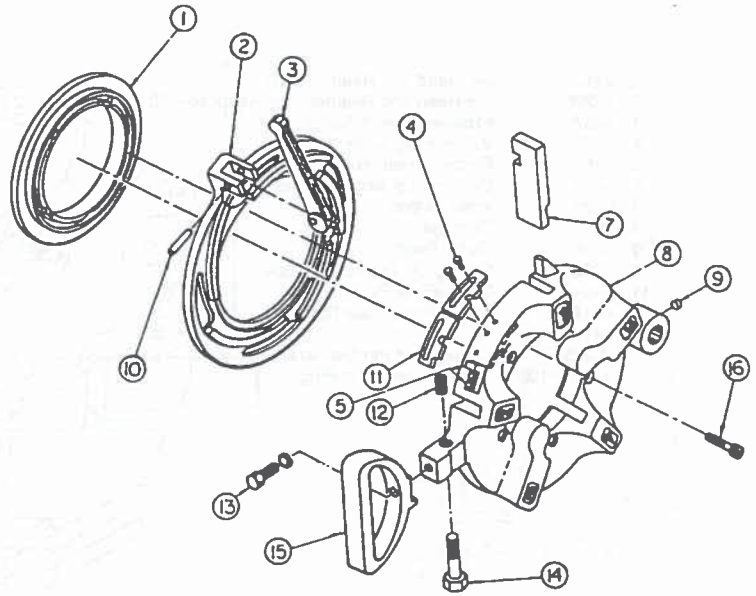
## Industrial Equipment Company

6112 North Mesa Street, Suite 127, El Paso, TX 79912  
 Ph. 866-566-0222, Fax. 915-228-3777  
[www.cmstools.us](http://www.cmstools.us)

- |             |   |             |   |
|-------------|---|-------------|---|
| 1. 4905     | Retainer, Scroll Plate, 2½"-4"              | 17. 12227   | Screw, Feed                                     |
| 6605        | Retainer, Scroll Plate, 5"-6"               | 18. 12319   | Cut-Off Tool, 2½"-6"                            |
| 2. 12122    | Scroll Plate, 2½"-4"                        | 12229-40    | Grooving Tool, Sch. 40 Pipe, 2½"-6"             |
| 12123       | Scroll Plate, 5"-6"                         | 12229-80    | Grooving Tool, Sch. 80 Pipe, 2½"-6"             |
| 3. 6602     | Lever, Operating. Includes: O-406 Dowel Pin | 12213       | Double Bevel Tool, 37½ degrees, 2½"-6"          |
| 4. A-102    | Screw, Hex Hd. Cap, ¼-20x½" (4)             | 12268       | Double Bevel Tool, 45 degrees, 2½"-6"           |
| 5. L-1100   | Screw, Round Head Mach., ¼-20x¼" (2)        | 12218       | Saran Tool, 2½"-6"                              |
| 6. 12228    | Cover, Die Slot Extension                   | 19. 6609-1  | Selector Plate, 2½"                             |
| 7. 12101    | Die, Centering, 2½"-3" (4)                  | 6609-2      | Selector Plate, 3"                              |
| 12104       | Die, Centering, 3½"-4" (4)                  | 6608-1      | Selector Plate, 3½"                             |
| 12102       | Die, Centering, 5"-6" (4)                   | 6608-2      | Selector Plate, 4"                              |
| 8. 14895    | Housing, Groover, 2½"-4"                    | 6601-1      | Selector Plate, 6"                              |
| 14897       | Housing, Groover, 5"-6"                     | 6606-2      | Selector Plate, 6"                              |
| 9. 12235    | Plug, Expansion                             | 20. H-103-A | Set Screw, ¼-20 x 5/16"                         |
| 10. O-408   | Dowel Pin, 5/16"x1¼"                        | 21. 12094   | Bearing Block                                   |
| 11. 12215   | Handle, Feed Screw                          | 22. 4943-1  | Handle, Die Head                                |
| 12. P-706-A | Grooved Pin, 3/16"x1"                       | H-508-D     | Set Screw, ½-13x1½"                             |
| 13. 12097   | Indicator, Groove Depth                     | 23. B-105   | Nut, Hex., ½-13                                 |
| 14. F-209   | Screw, Soc. Hd. Cap, 5/16-18x1¼" (2)        | 24. A-505-P | Screw, Hex. Hd. Cap, ½-13x1½"                   |
| C-110       | Lock Washer, 5/16" (2)                      | 25. F-208   | Screw, Soc. Hd. Cap, 5/16-18x1½" for 2½"-4" (5) |
| 15. F-105   | Screw, Soc. Hd. Cap, ¼-20x¾"                | F-210       | Screw, Soc. Hd. Cap, 5/16-18x2" for 5"-6" (5)   |
| B-101       | Nut, Std. Hex., ¼-20                        | 26. 12226   | Extension, Die Slot                             |
| 16. 12096   | Bearing, Thrust (2)                         |             |   |

## SNAP-O-MATIC DIE HEAD ASSEMBLIES 2½"-6"

1. 4905 Retainer, Scroll Plate, 3½"-4"
- 4906 Retainer, Scroll Plate, 2½"-3"
- 6605 Retainer, Scroll Plate, 6"
- 6638 Retainer, Scroll Plate, 5"
2. 6601 Scroll Plate, 2½"-4"
- 6603 Scroll Plate, 5"-6"
3. 6602 Lever, Operating (Includes O-406 Dowel Pin)
4. A-102 Screw, Hex Hd. Cap, Selector Plate Att., ¼-20x½" (4)
5. 6639 Stop, Scroll Plate
- F-103 Screw, Soc. Hd. Cap, Stop Att., ¼-20x½" (2)
7. Dies, Set of (5). Specify size and type of Thread Desired (e.g. 2½" and 3" NPT)
8. 14808 Housing, Die Head, 6"
- 14894 Housing, Die Head, 3½"-4"
- 14898 Housing, Die Head, 2½"-3"
- 17537 Housing, Die Head, 5"
9. 12235 Plug, Expansion
10. O-408 Dowel Pin, Operating Lever, 5/16"x1¼" lg.
11. 6606-1 Selector Plate, 5"
- 6606-2 Selector Plate, 6"
- 6608-1 Selector Plate, 3½"
- 6608-2 Selector Plate, 4"
- 6609-1 Selector Plate, 2½"
- 6609-2 Selector Plate, 3"
12. H-503-D Set Screw, Die Head Centering, ½-13x½" lg.
13. A-504-P Screw, Hex. Hd. Cap, Handle Att., ½-13x1¼" lg.
- C-113-M Lock Washer, Handle Att., ½"
14. A-505-P Screw, Hex. Hd. Cap, Die Head Centering, ½-13x1½" lg.
15. 6950 Handle, Die Head
16. F-208 Screw, Soc. Hd. Cap, Retainer Att., 5/16-18x1½" lg. (5) for 2½"-4" Housing
- F-210 Screw, Soc. Hd. Cap, Retainer Att., 5/16-18x2" lg. (5) for 5"-6" Housing



**CMS**

**Industrial Equipment Company**

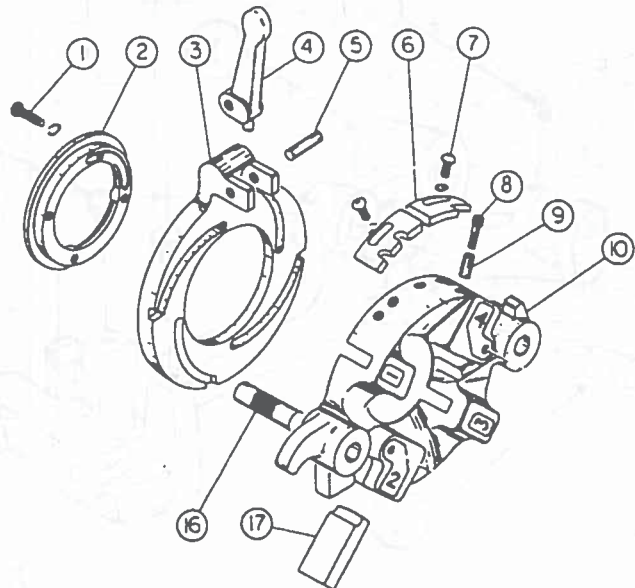
6112 North Mesa Street, Suite 127, El Paso, TX 79912  
Ph. 866-566-0222, Fax. 915-228-3777  
www.cmstools.us

## SNAP-O-MATIC DIE HEAD ASSEMBLIES 1/8" - 2"

DUAL SNAP-O-MATIC DIE HEADS: ½"; ¼" & ¾"; ½" & ¾"; 1" & 1¼"; 1½" & 2"

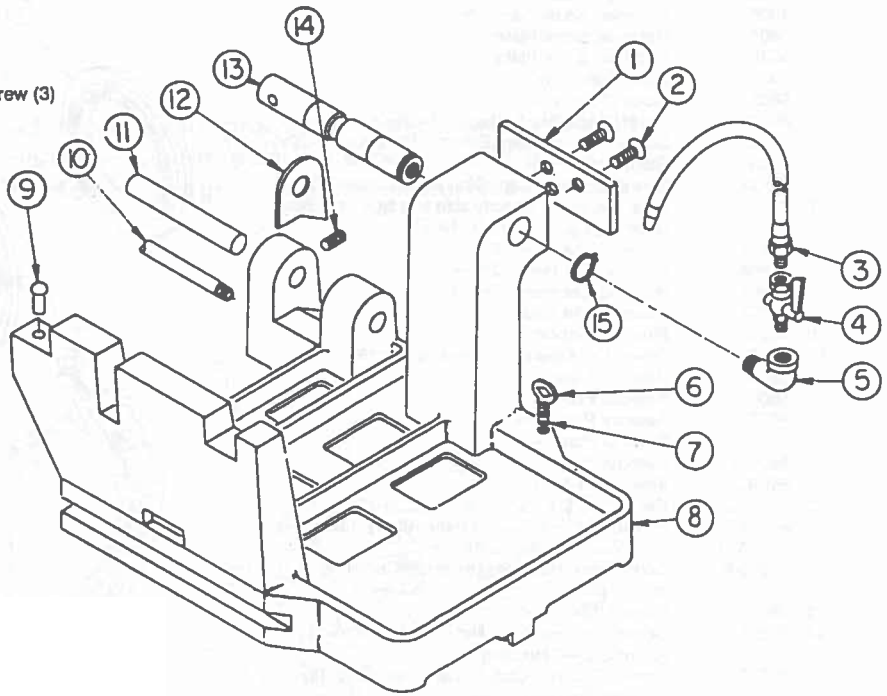
QUAD SNAP-O-MATIC DIE HEAD: 1" - 2"

1. F-053 Die Head Soc. Hd. Cap Screw, 10-24x¾" (4)
- C-107-HC Lockwasher, Hi Collar, No. 10
2. 1433 1"-2" Retainer Plate
- 1673 ½"-¾" Retainer Plate
3. 1632 1"-2" Scroll Plate
- 1642 ½"-¾" Scroll Plate
4. 1633 Operating Lever
5. O-406 Operating Lever Pivot Dowel Pin, 5/16"x1¼"
6. 1634-1 1"-1¼"-1½" Selector Plate
- 1635-1 1" Selector Plate
- 1635-2 1¼" Selector Plate
- 1636-2 2" Selector Plate
- 1644-1 ½" Selector Plate
- 1644-2 ¾" Selector Plate
- 1645 ¼" & ¾" Selector Plate
- 1646 ½" Selector Plate
7. CC-109-AP Washer, Tooth Lock, External, ¼"
- G-104-S Selector Plate Att. Button Hd. Cap Screw, ¼-20x¾" (4)
8. F-107 Scroll Plate Stop Soc. Hd. Cap Screw, ¼-20x1"
9. 13113 Scroll Plate Spacer
10. 1631 1"-2" Die Head Housing
- 1641 ½"-¾" Die Head Housing
16. 1431-1 Die Head Pin
17. Set of (4) Dies, Specify Size and Type (e.g. ½" NPT)
18. 13385 Ball
19. 12220 Spring
20. 12135 Expansion Plug



# CARRIAGE ASSEMBLY NO. 6780

- |                |   |
|----------------|---|
| 1. 23101       | Die Head and Reamer Stop  |
| 2. E-206       | Die Head and Reamer Stop Att. Screw (3)                         |
| 3. 4657        | Flexible Coolant Spout  |
| 4. 4658        | Valve, Plug, $\frac{1}{2} \times \frac{1}{4}$                   |
| 5. 4556        | Elbow, Street, $\frac{1}{2} \times \frac{1}{2} \times 90^\circ$ |
| 6. 3404        | Carriage Locking Thumbscrew                                     |
| 7. 6732        | Wear Button   |
| 8. 6616-1      | Carriage  |
| 9. 4655        | Cutter Rest Pin   |
| 10. 4563       | Cutting Oil Telescopic Tube                                     |
| 11. 4654-2     | Cutter Pivot Pin  |
| 12. 4919       | Cutter Wear Plate (2)   |
| 13. 4917       | Carriage Pin  |
| 14. H-205-D    | Cutter Pivot Pin Set Screw (2)                                  |
| 15. Y-5100-100 | Reamer Retaining Ring   |

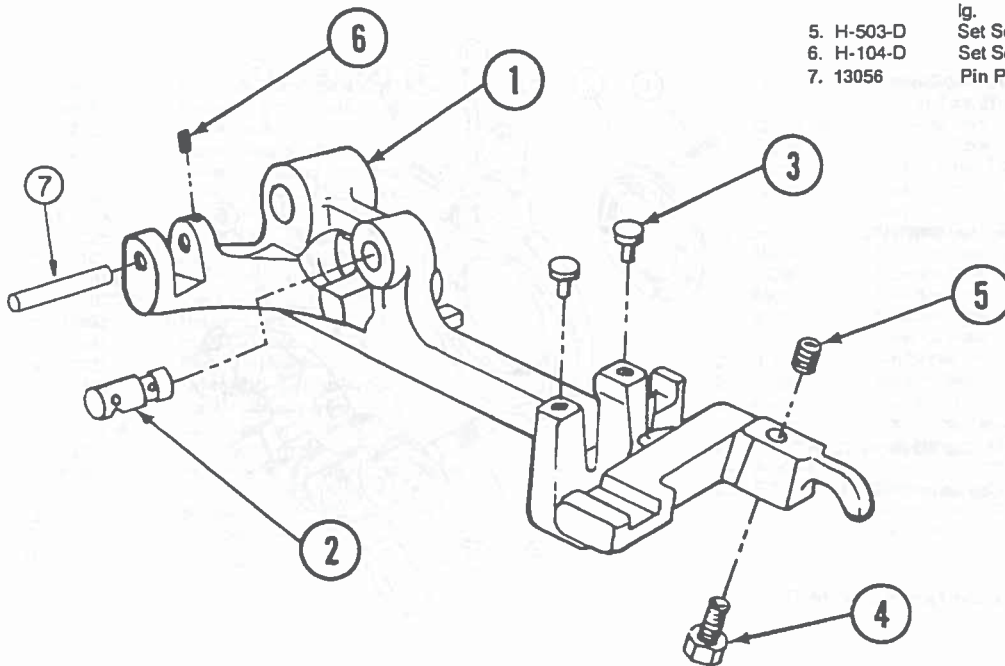


## Industrial Equipment Company

6112 North Mesa Street, Suite 127, El Paso, TX 79912  
Ph. 866-566-0222, Fax. 915-228-3777  
[www.cmstools.us](http://www.cmstools.us)

# ADAPTER ASSEMBLY FOR 1"-2" DIE HEADS NO. 6920

- |            |   |
|------------|---|
| 1. 6921    | Adapter   |
| 2. 10053   | Pin, Die Head   |
| 3. 1572    | Pin, Headed, Die Head Stop  |
| 4. A-505-P | Screw, Hex. Hd. Cap, Adapter Centering $\frac{1}{2}$ -13x $\frac{1}{2}$ " lg. |
| 5. H-503-D | Set Screw, Adapter Centering, $\frac{1}{2}$ -13x $\frac{1}{2}$ " long         |
| 6. H-104-D | Set Screw, Cutter Pin, $\frac{1}{4}$ -20x $\frac{3}{8}$ " lg.                 |
| 7. 13056   | Pin Pivot Cutter  |

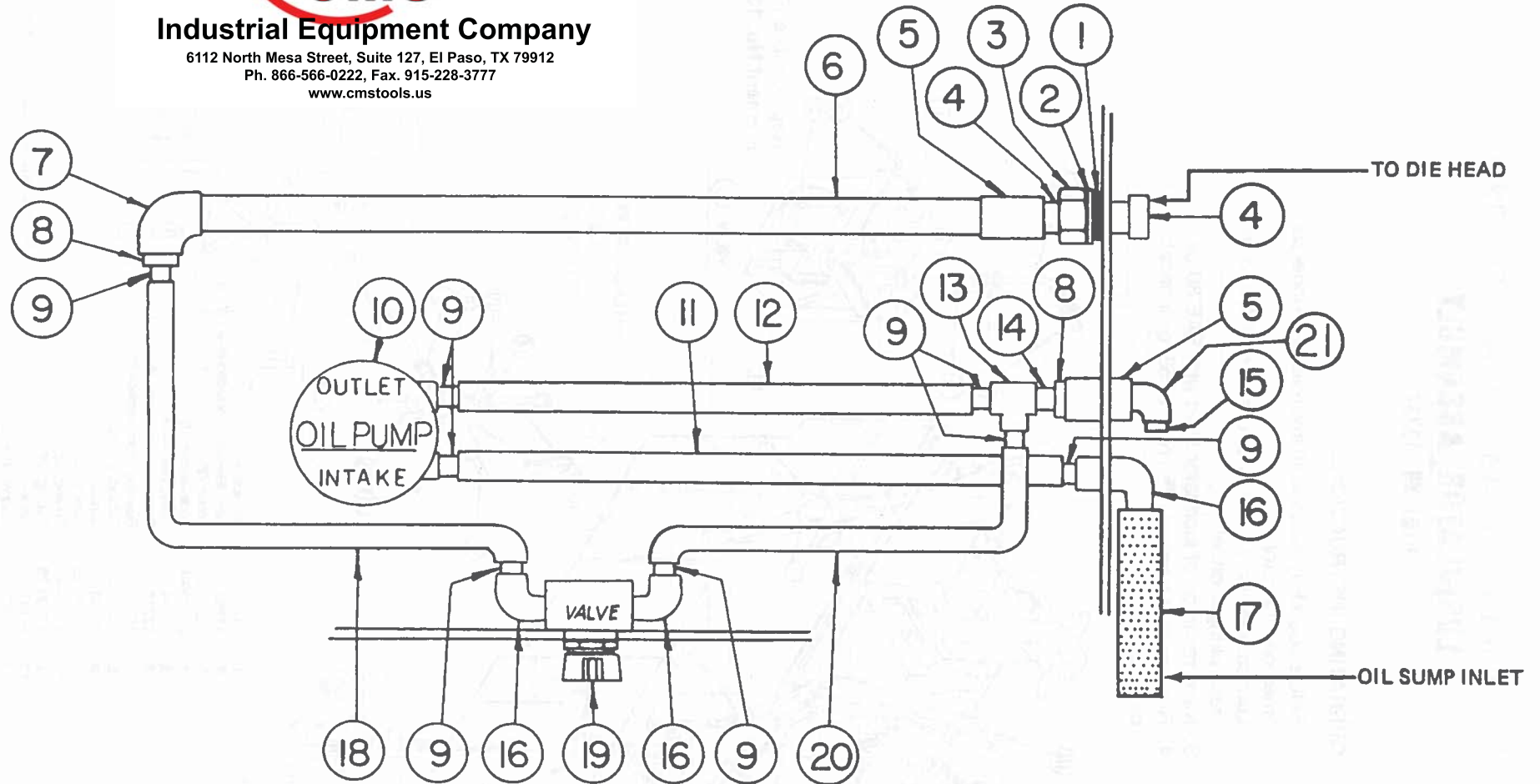




# Industrial Equipment Company

6112 North Mesa Street, Suite 127, El Paso, TX 79912  
 Ph. 866-566-0222, Fax. 915-228-3777  
 www.cmstools.us

## OIL LINE SCHEMATIC



- 1. 4572 "O" Ring, Outside
- 2. 4587 Washer
- 3. B-280 Nut, 7/8-14 Hex. Jam
- 4. 4770 Fitting, Oil Tube, Telescopic
- 4586 "O" Ring Inside
- 5. 4542 Coupling, Pipe, 1/2"
- 6. 4540-1 Housing, Oil Tube
- 7. 4044 Elbow, Pipe, 1/2"
- 8. 4569 Reducer, Pipe, 1/2" to 3/8" (8)
- 9. 12233 Nipple, Pipe, Thd. one end, 3/8x2" (2)
- 10. 15371 15370 Oil Pump Assembly (Pump + Bracket)
- 11. 15351-19 Hose, Oil 3/8"x19"
- 13. 12234 Tee, Pipe, 3/8"

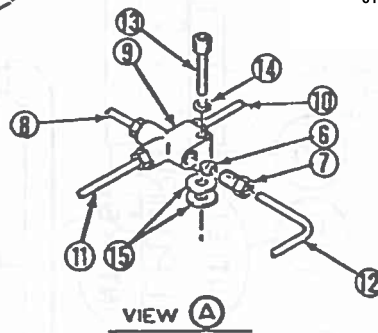
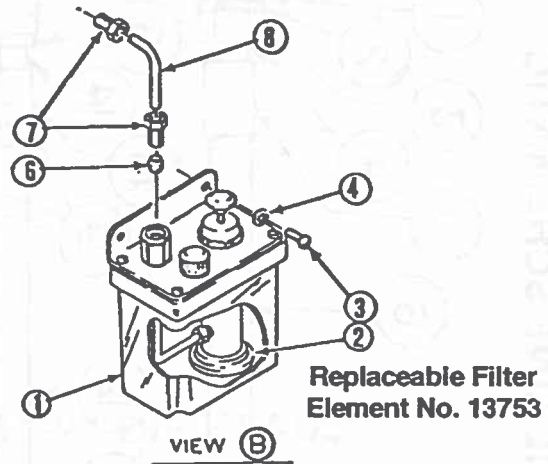
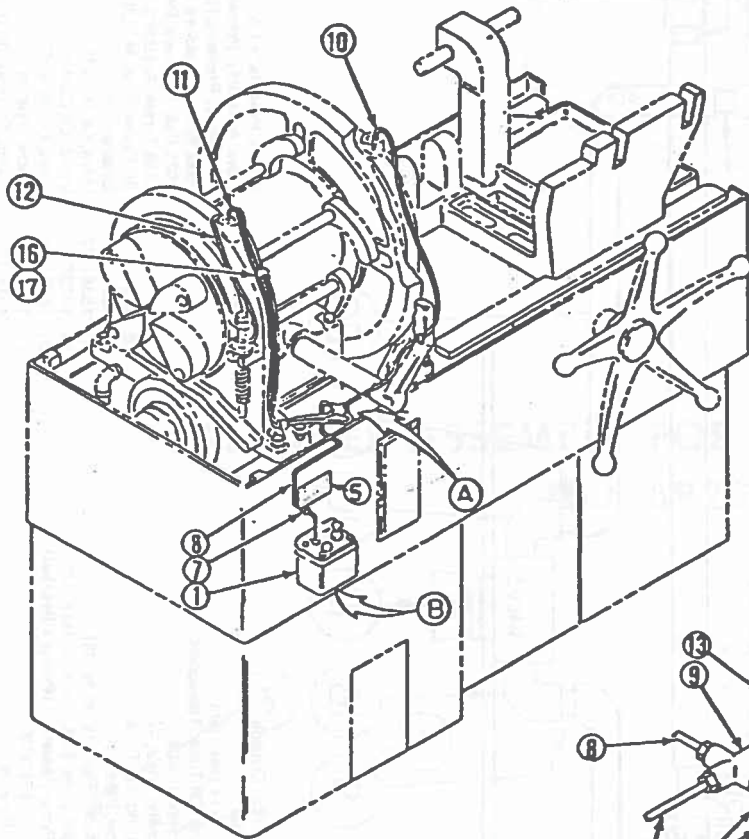
- 14. 12232 Nipple, Pipe, 3/8" x 1 1/2"
- 15. 4630 Valve Assembly, Pressure Relief Includes:  
 4631 Body, Pressure Relief Valve  
 4632 Spring, Pressure Relief Valve  
 4633 Ball, Pressure, Relief Valve  
 4638 Screw, Adjusting, Pressure Relief Valve
- 16. 4024 St. Elbow, Pipe, 3/8" (3)
- 17. 4550 Strainer, Oil
- 18. 15351-27 Hose, Oil 3/8"x27"
- 19. 12236 Valve, Oil Control
- 20. 15351-16 Hose, Oil, 3/8"x16"
- 21. 12437 Elbow, Pipe, 1/2"
- 4514-10 Clamp, Oil Hose (8) (Not Shown)

# LUBRICATOR ASSEMBLY

## PART NO. 13734

### OPERATING INSTRUCTIONS

1. Before operating machine lift and release plunger six times on lubricator.
2. Lubricate every two hours of operation (lift and release plunger once)
3. Keep reservoir of lubricator filled with SAE 30 oil.
4. Replace filter element (Part No. 13753) on lubricator pump once a year.



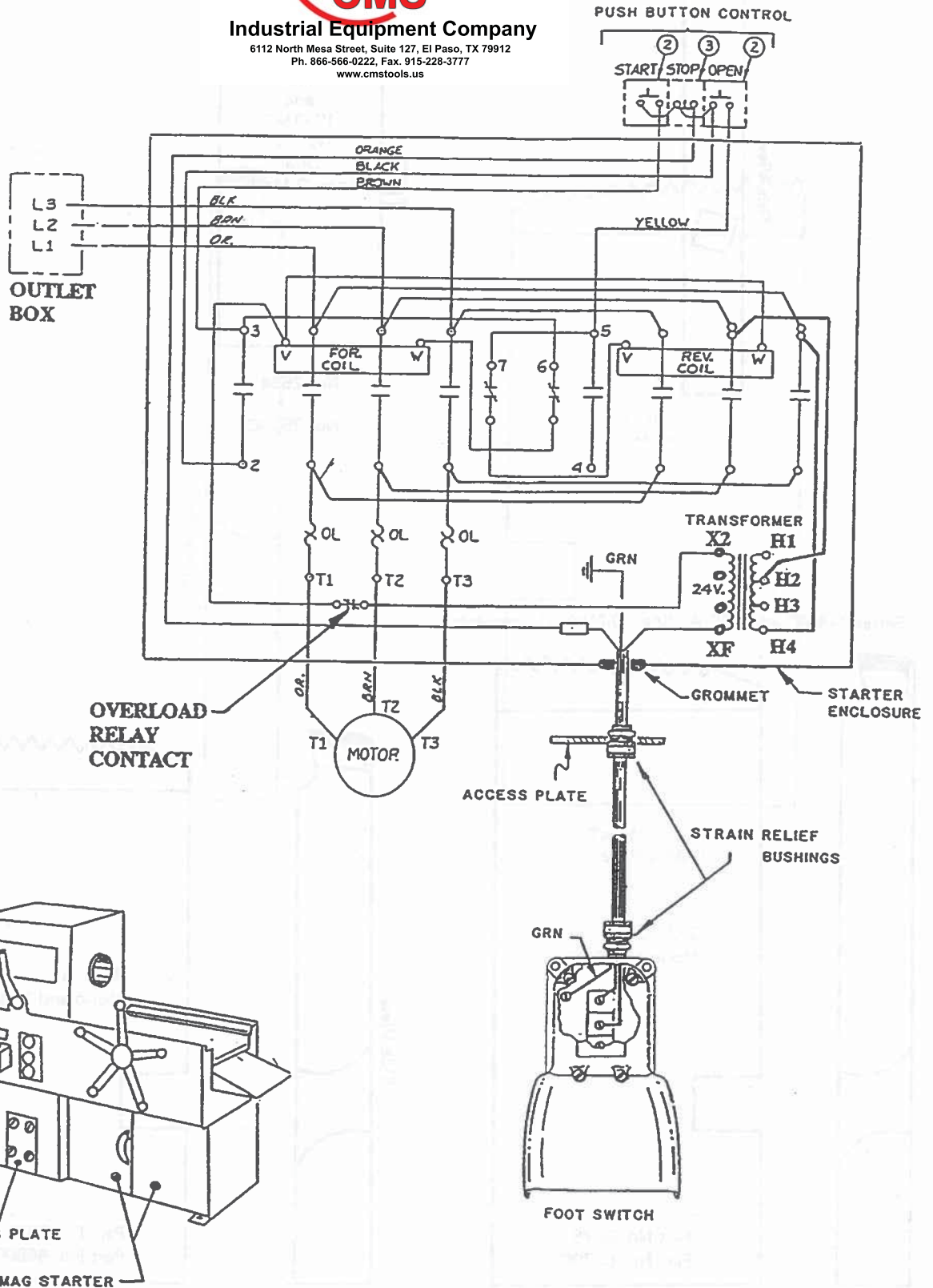
**CMS**  
**Industrial Equipment Company**  
 6112 North Mesa Street, Suite 127, El Paso, TX 79912  
 Ph. 866-566-0222, Fax. 915-228-3777  
[www.cmstools.us](http://www.cmstools.us)

- |     |          |                                     |
|-----|----------|-------------------------------------|
| 1.  | 13735    | Lubricator                          |
| 2.  | 13753    | Filter Element (Included in #13735) |
| 3.  | G-104-S  | Screw (2)                           |
| 4.  | CB-109-A | Lockwasher (2)                      |
| 5.  | 13754    | Plate, instruction                  |
| 6.  | 13736    | Sleeve, compression (6)             |
| 7.  | 13737    | Bushing, compression (6)            |
| 8.  | 13739-21 | Tubing, 21" lg.                     |
| 9.  | 13738    | Junction                            |
| 10. | 13739-25 | Tubing, 25" lg.                     |
| 11. | 13739-25 | Tubing, 25" lg.                     |
| 12. | 13739-26 | Tubing, 26" lg.                     |
| 13. | F-107    | Screw                               |
| 14. | C-109-M  | Lockwasher                          |
| 15. | D-102    | Flat washer (2)                     |

# THRED-O-MATIC "66-A" WIRING DIAGRAMS

## THREE PHASE

**CMS**  
**Industrial Equipment Company**  
 6112 North Mesa Street, Suite 127, El Paso, TX 79912  
 Ph. 866-566-0222, Fax. 915-228-3777  
 www.cmstools.us



ACCESS DOOR TO MAG STARTER