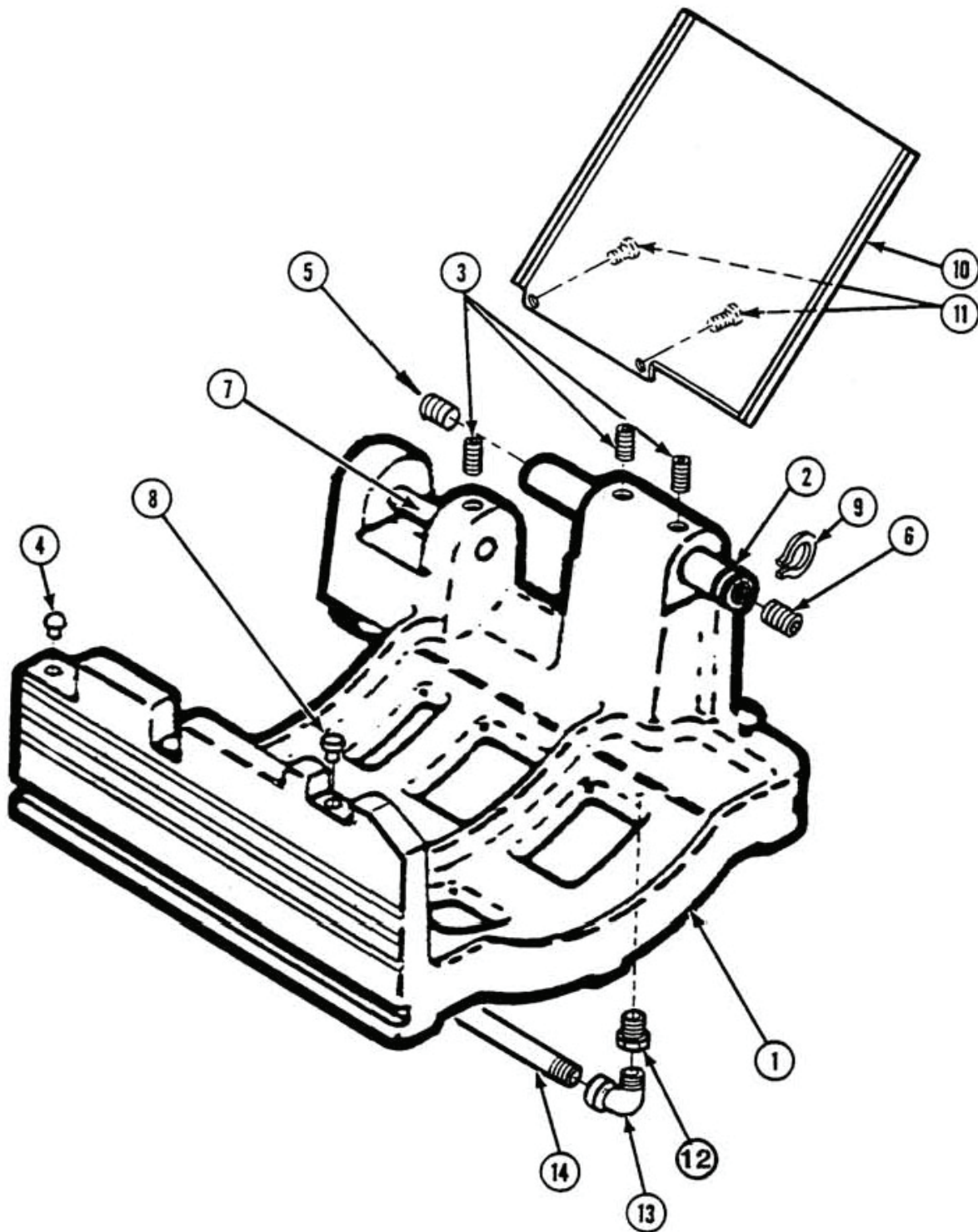


Basic machine

dated: 09/14

Item no.	Description	article no.	Quantity	Price (€)
1	Thumbscrew 3/8 - 16x1	03404	1	O.r.
2	Adapter, small pipe	12548	1	O.r.
3	Cover, spindle	20317	1	O.r.
4	Cutter assembly 1/2 - 4	20160	1	O.r.
5	Die head assy. 2 1/2 - 4	20200	1	O.r.
6	Carriage assembly	20150	1	O.r.
7	Reamer assembly 2 1/2 - 4	20170	1	O.r.
8	Ring, retaining	Y-5100-87	1	O.r.
10	Nut, acorn, 1/4 - 20	B-354-P	1	O.r.
11	Setscrew 1/4 - 20x1	H-110-D	1	O.r.
12	Lockwasher 1/4	C-109-MP	1	O.r.
13	Ring, retaining	YKSA-775	1	O.r.
14	Brake assembly	20314	1	O.r.
15	Pin, grooved 3/16 x 5/8	P-703-H	1	O.r.
16	Bearing, spindle	20308	1	O.r.
17	Shield, motor	01244	1	O.r.
18	Screw, SHdCap 1/2 - 13x2	F-509-S	1	O.r.
19	Washer, lock 1/2	C-133-M	1	O.r.
20	Spindle block, rear	20311	1	O.r.
21	Pin, dowel 3/8 x 2	O-509	1	O.r.
22	Screw, slf Tap. 10-24x 1/2	NF-503-F	1	O.r.
24	Wick, lube oil	12006	1	O.r.
25	Spindle assembly, Std.	20054	1	O.r.
26	Bearing, ball 203SZZ	01018-1	1	O.r.
27	Spindle block, front	20310	1	O.r.
28	Tubing, Ctg. Oil 24"	20061-24	1	O.r.
29	Clamp, Ctg. Oil tube	04514-10	1	O.r.
30	Fitting, ctg. Oil tube	20068	1	O.r.
31	Pump assembly	20067	1	O.r.
32	Screw, SHDcap 1/4"-20x7/8"	F-122-SL	1	O.r.
33	Screw, SHdCap 5/16-18x1	F-206	1	O.r.
34	Washer, lock 5/16	C-110	1	O.r.
35	Gearmotor assembly 110/115V	20040	1	O.r.
35	Gearmotor assembly 230V	20041	1	O.r.
36	Controller 115/230V	01221	1	O.r.
37	Resistor assembly 110/115V	01345-1	1	O.r.
37	Resistor assembly 230V	01346-1	1	O.r.
41	Screw, flt head 5/16 - 18x1	E-206	1	O.r.
42	Screw, SHDcap 1/4"-20x1/2"	F-103	1	O.r.
43	Rail, base, rear	20108	1	O.r.
44	Pin, spring 3/16x1	U-715	1	O.r.
45	Gear, spur 12T	20111	1	O.r.
47	Bushing, strn. Relief	01376	1	O.r.
48	Switch&cord assembly 230V	20015	1	O.r.
48	Switch&cord assembly 110/115V	20016	1	O.r.
49	Screw, SHDcap 1/4"-20x1"	G-107	1	O.r.
50	Bracket, switch & resistor	20105	1	O.r.
51	Washer, lock 1/4	C-109-M	1	O.r.
52	Screw, SHDcap 1/4"-20x1/4"	L-1100	1	O.r.
53	Plug, pipe, drain 3/8	01020	1	O.r.
54	Grooved pin 1/4" x 1 3/8"	P-9061-A	1	O.r.
55	Handle, operating , carriage	20113	1	O.r.
56	Shaft, carriage	20109	1	O.r.
57	Collar, carriage shaft	20112	1	O.r.
58	Setscrew 1/4 - 20x1/4	H-102-D	1	O.r.
59	Rail, base, front	20107	1	O.r.
60	Base	20101	1	O.r.
61	Tray, chip	20110	1	O.r.
85201	Switch, limit, carriage	20035	1	O.r.
85202	Filter, radio, interference	20036	1	O.r.
85217	Bracket, hour meter	20106	1	O.r.
85262	Meter, hour 110/115V	20190	1	O.r.
85263	Meter, hour 230V	20191	1	O.r.
85356	Nut, hex. 10-24	B-132	1	O.r.
85360	Nut, acorn 1/4-20	B-354-P	1	O.r.
85404	Screw, BhdCap, 10-24x1/2"	G-051	1	O.r.
85412	Setscrew 1/4-20x3/4	H-108-D	1	O.r.
85424	Screw, sltdfilhd, 10-32x1	K-961	1	O.r.



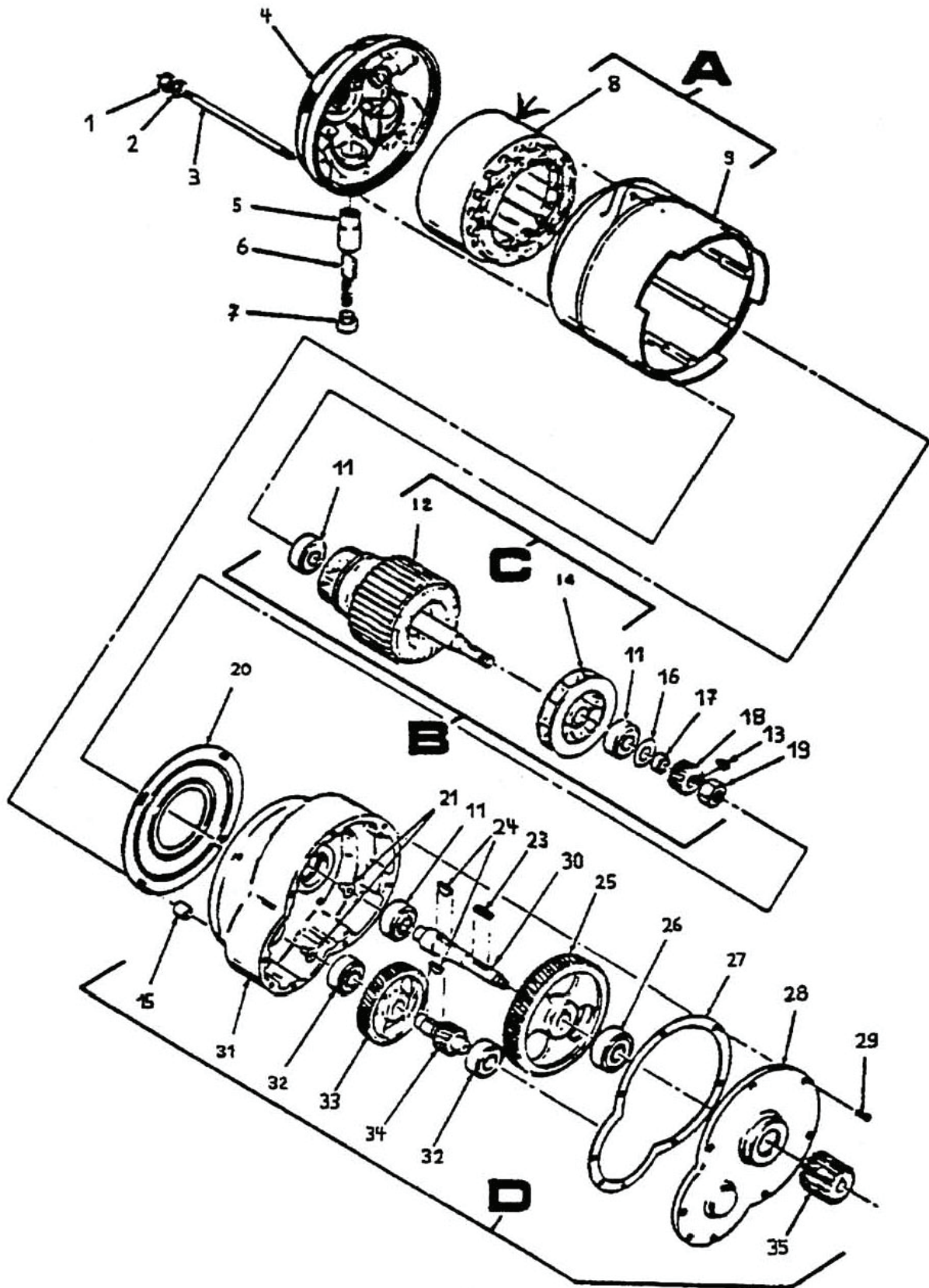
Carriage assembly

dated: 09/14

Item no.	Description	article no.	Quantity	Price (€)
1	Carriage	20151	1	o.r.
2	Pin, die head & reamer holding	20152	1	o.r.
3	Setscrew 5/16 - 18x1/2	H-205-D	1	o.r.
4	Pin, cutter rest	04655	1	o.r.
5	Setscrew 3(8-16x1/2	H-305	1	o.r.
6	Plug, pipe 1/8 - 27 NPT	13140	1	o.r.
7	Pin, cutter pivot	20157	1	o.r.
8	Pin, die head rest	01572	1	o.r.
9	Ring, retaining, reamer	Y-5100-87	1	o.r.
10	Shield, oil drip	20156	1	o.r.
11	Screw, S-tap 10-24x1/2"	NF-503-F	1	o.r.
12	Bushing, pipe reducer 3/8 to 1/4 NPT	NPT12892	1	o.r.
13	Elbow, street, pipe 1/4x1/4x90 deg.	12891	1	o.r.
14	Nipple, pipe, 1/4 x 20L	20158	1	o.r.

IMPORTANT! To assure safety and reliability, repairs, maintenance and adjustment must be performed by ROTHENBERGER Kelkheim or authorized Service-Centers. Always use Original-Service-Parts. Order your accessories and spare parts from your specialist retailer


Industrial Equipment Company
6112 North Mesa Street, Suite 127, El Paso, TX 79912
Ph. 866-566-0222, Fax. 915-228-3777
www.cmstools.us



Industrial Equipment Company

6112 North Mesa Street, Suite 127, El Paso, TX 79912
Ph. 866-566-0222, Fax. 915-228-3777
www.cmstools.us



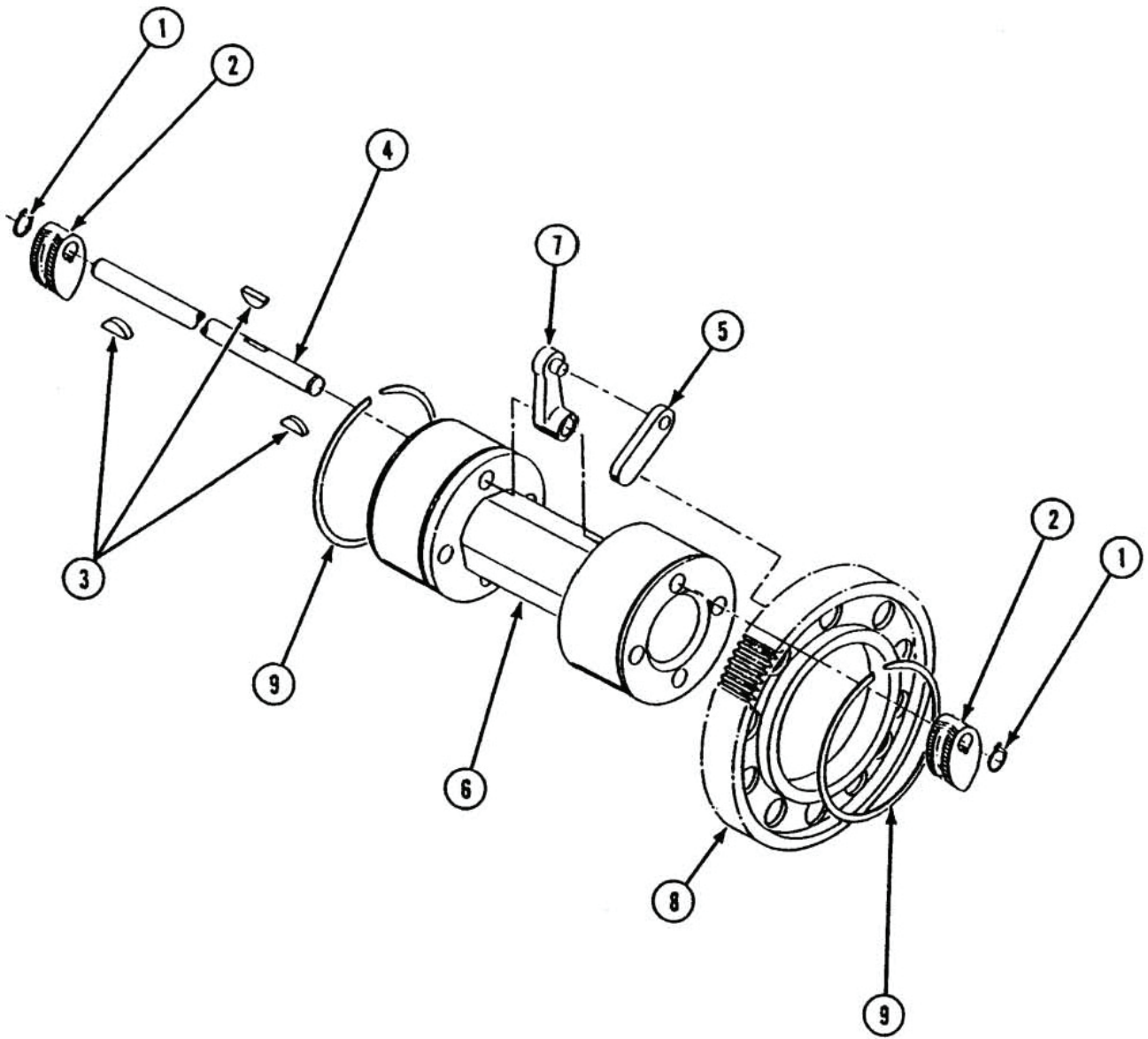
Gearmotor assembly

dated: 09/14

Item no.	Description	article no.	Quantity	Price (€)
	Armature only 110/115V	20133	1	o.r.
	Housing&Stator assembly 110/115V	20120	1	o.r.
	Armature & fan assembly 110/115V	20131	1	o.r.
	Armature assembly complete 110/-115V	20130	1	o.r.
1	Nut, hexagon	B-101	1	o.r.
2	Washer, lock, Hel.Spg.	C-109-	1	o.r.
3	Tie rod, motor	01361	1	o.r.
4	End bell, motor	01351	1	o.r.
5	Holder, elec. Cont. Brush	01352	1	o.r.
6	Brush, elec. Cont. Set brush, elec. Cont.(6 pcs.)	01360-	1	o.r.
7	Stator, motor 230V	20123	1	o.r.
8	Stator, motor 110/115V	20121	1	o.r.
9	Housing, stator, motor	20122	1	o.r.
11	ballbearing	01018-	1	o.r.
12	Armature only 230V	20134	1	o.r.
13	Key, woodruff	W-405	1	o.r.
14	Fan assembly, motor	01335	1	o.r.
15	Retainer, stator baffle, neoprene	01325	1	o.r.
16	Spacer, slinger	01332	1	o.r.
17	Spacer, sleeve	01333	1	o.r.
18	Gear, helical	01336	1	o.r.
19	Nut, hexagon	01334	1	o.r.
20	Baffle, stator, motor	01323	1	o.r.
21	Plug, hole, plastic	01383-	1	o.r.
23	Key, square	20363	1	o.r.
24	Key, woodruff	W-808	1	o.r.
25	Gear, helical	20049	1	o.r.
26	Ballbearing	01392-	1	o.r.
27	Gasket	01381-	1	o.r.
28	Cover, gearcase housing	01382	1	o.r.
29	Screw, machine, SI.Fil.Hd	K-1106	1	o.r.
30	Shaft, output, gearcase	20320	1	o.r.
31	Housing, gearcase	01381	1	o.r.
32	Ballbearing	01337	1	o.r.
33	Gear, helical	01390	1	o.r.
34	Gearshaft, helical	20048	1	o.r.
35	Gear, spur, gearmotor outoutshaft	20301	1	o.r.
84381	Cap, elec. Cont. brush, mtr.	01355	1	o.r.
A	Housing&Stator assembly 230V	20119	1	o.r.
B	Armature assembly complete 230V	20129	1	o.r.
C	Armature & fan assembly 230V	20132	1	o.r.
D	Gearcase assembly	20140	1	o.r.

IMPORTANT! To assure safety and reliability, repairs, maintenance and adjustment must be performed by ROTHENBERGER Kelkheim or authorized Service-Centers. Always use Original-Service-Parts. Order your accessories and spare parts from your specialist retailer


Industrial Equipment Company
 6112 North Mesa Street, Suite 127, El Paso, TX 79912
 Ph. 866-566-0222, Fax. 915-228-3777
www.cmstools.us



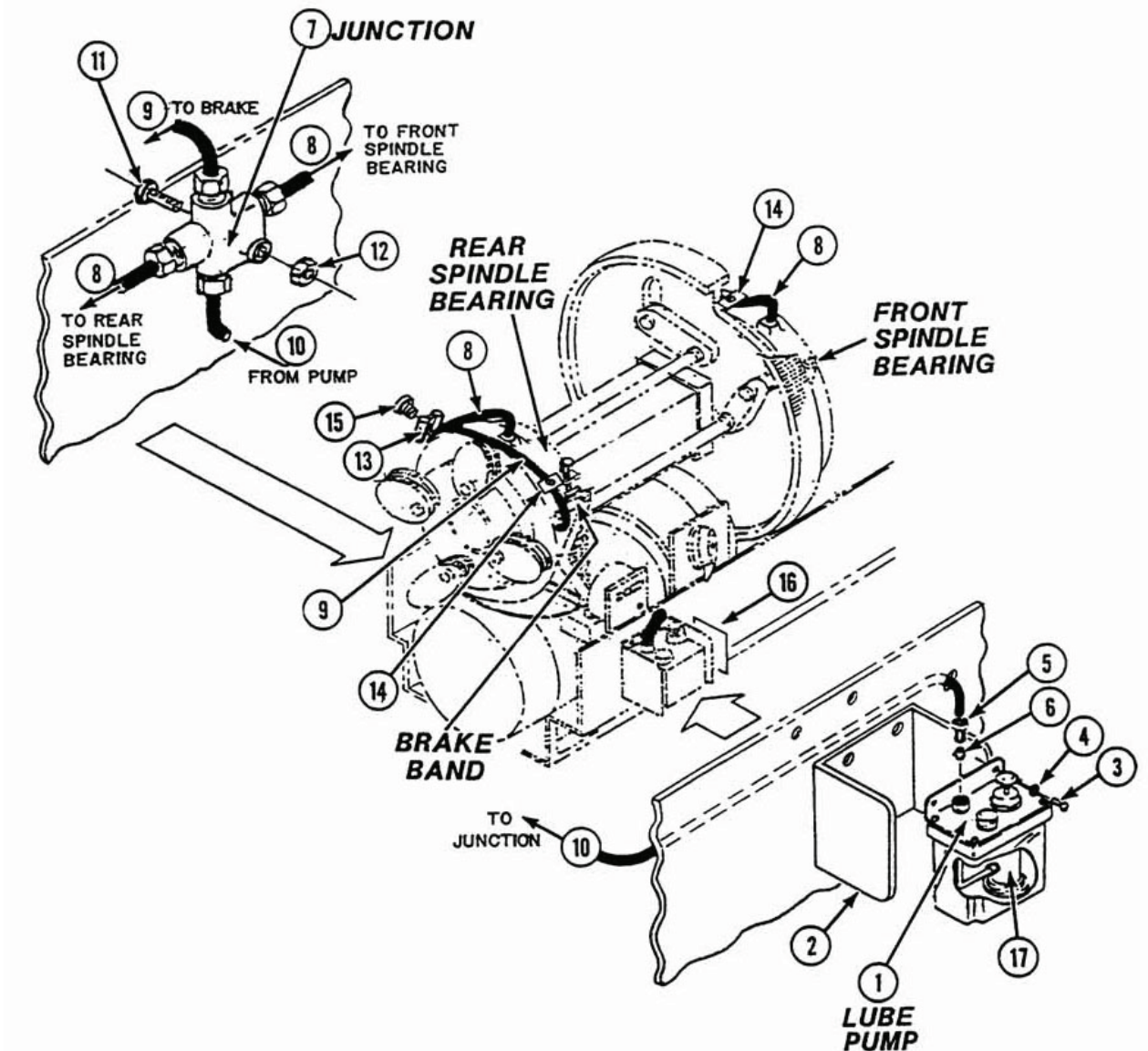
Spindle assembly

dated: 09/14

Item no.	Description	article no.	Quantity	Price (€)
1	Ring, retaining, ext.	Y-5100-75	1	o.r.
2	Jaw, chuck, reversible	20305	1	o.r.
3	Key, woodruff 1/4x1D	W-808	1	o.r.
4	Shaft, jaw	20306	1	o.r.
5	Link, jaw lever	20205	1	o.r.
6	Spindle	20307	1	o.r.
7	Lever, jaw, spindle	20303	1	o.r.
8	Gear, spur, spindle 169T	20302	1	o.r.
9	Ring, retaining, ext.	YKSA-775	1	o.r.

IMPORTANT! To assure safety and reliability, repairs, maintenance and adjustment must be performed by ROTHENBERGER Kelkheim or authorized Service-Centers. Always use Original-Service-Parts. Order your accessories and spare parts from your specialist retailer


Industrial Equipment Company
6112 North Mesa Street, Suite 127, El Paso, TX 79912
Ph. 866-566-0222, Fax. 915-228-3777
www.cmstools.us



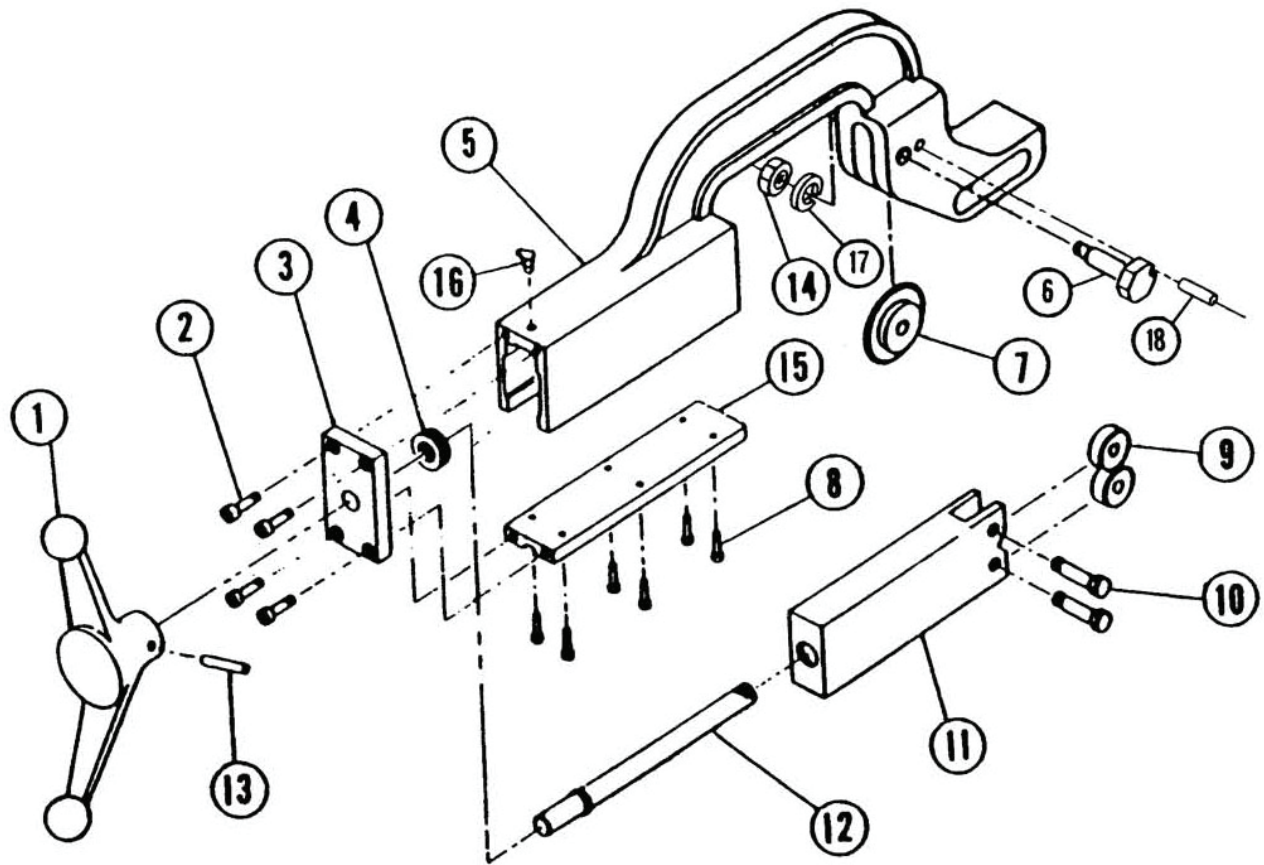
Lube pump assembly

dated: 09/14

Item no.	Description	article no.	Quantity
1	Lubricator, manual (w/filter element)	13735	1
2	Guard, manual lubricator	17526	1
3	Screw, cap, soc. But. Hd ¼"-20x5/8"L	G-104-S	1
4	Washer, lock, int. tooth ¼"	CB-109-A	1
5	Sleeve, compression 5/32" tubing	13736	1
6	Bushing, compression 5/32" tubing	13737	1
7	Junction, 4-way, 5/32"	13738	1
8	Tubing, steel, lube oil 5/32"x21"L	13739-21	1
9	Tubing, steel, lube oil 5/32"x28"L	13739-28	1
10	Tubing, steel, lube oil 5/32"x33"L	13739-33	1
11	Screw, cap, soc. But. Hd ¼"-20x1 1/4"	L G-108	1
12	Nut, hexagon ¼"-20	B-101	1
13	Clamp, jiffy, double loop 1/8"	01560	1
14	Clamp, jiffy, single loop 1/8"	01559	1
15	Screw, S-tap, SI Pn Hd TPF 10-24x1/2"	LNf-503-F	1
16	Plate, instruction, lubricator	13754	1
17	Filter element (replacement)	13753	1

IMPORTANT! To assure safety and reliability, repairs, maintenance and adjustment must be performed by ROTHENBERGER Kelkheim or authorized Service-Centers. Always use Original-Service-Parts. Order your accessories and spare parts from your specialist retailer


Industrial Equipment Company
6112 North Mesa Street, Suite 127, El Paso, TX 79912
Ph. 866-566-0222, Fax. 915-228-3777
www.cmstools.us



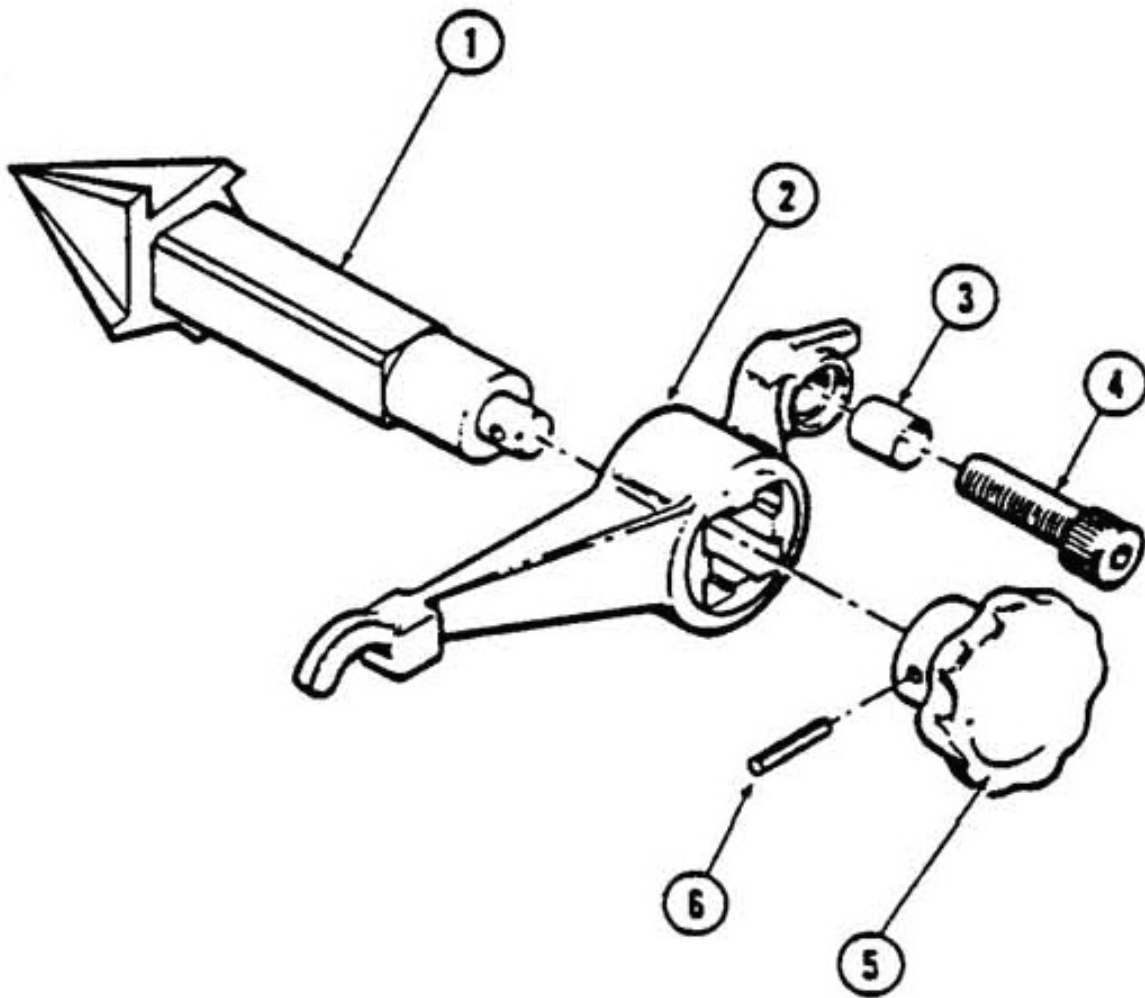
Cutter assembly 1/2" - 4"

dated: 09/14

Item no.	Description	article no.	Quantity
1	Handle, operating	04711	1
2	Screw, cap, soc. Hd 1/4"x20x1"L	F-107	1
3	Plate, front	04652	1
4	Bearing, thrust	04656	1
5	Body, cutter, wheel	20155	1
6	Bolt	16325	1
7	Cutting wheel	04121	1
8	Screw, cap, soc. Hd 10-32x3/4"L	F-063	1
9	Roller	04117	1
10	Screw, roller&cutting wheel 3/8-24x1 1/4"	01124	1
11	Roller block	04651	1
12	Screw, feed	04103	1
13	Pin, grooved, TP-A 1/4"x 1 3/8"L	P-9061-A	1
14	Nut, hexagon 1/2"-20	B-155-P	1
15	Plate, bottom	04653	1
16	Cup, oil, lubricating	01023-22	1
17	Washer, lock, hel. Spg 1/2" (PLTD)	C-113-MP	1
18	Pin, grooved, TP-A 3/16"x3/4"L	P-704-A	1

IMPORTANT! To assure safety and reliability, repairs, maintenance and adjustment must be performed by ROTHENBERGER Kelkheim or authorized Service-Centers. Always use Original-Service-Parts. Order your accessories and spare parts from your specialist retailer


Industrial Equipment Company
6112 North Mesa Street, Suite 127, El Paso, TX 79912
Ph. 866-566-0222, Fax. 915-228-3777
www.cmstools.us



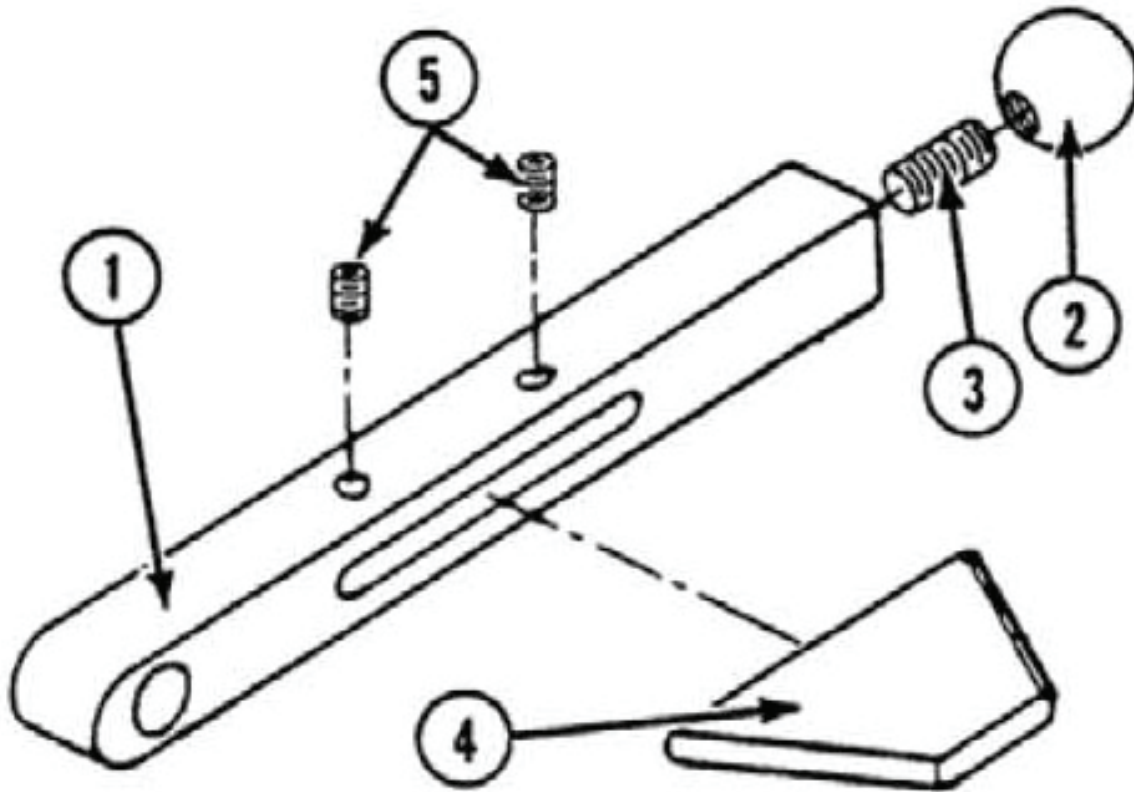
Cone reamer assembly

dated: 09/14

Item no.	Description	article no.	Quantity	Price (€)
1	Cone reamer	13212	1	o.r.
2	Holder, cone reamer	10065	1	o.r.
3	Spacer, attaching screw	02139-1	1	o.r.
4	Screw, reamer attaching 5/8"-11x1 1/2"	F-607-S	1	o.r.
5	Knob, cone reamer	01652	1	o.r.
6	Pin, spring, 3/16"x 1 1/4"L	U-717	1	o.r.

IMPORTANT! To assure safety and reliability, repairs, maintenance and adjustment must be preformed by ROTHENBERGER Kelkheim or authorized Service-Centers. Always use Original-Service-Parts. Order your accessories and spare parts from your specialist retailer


Industrial Equipment Company
6112 North Mesa Street, Suite 127, El Paso, TX 79912
Ph. 866-566-0222, Fax. 915-228-3777
www.cmstools.us



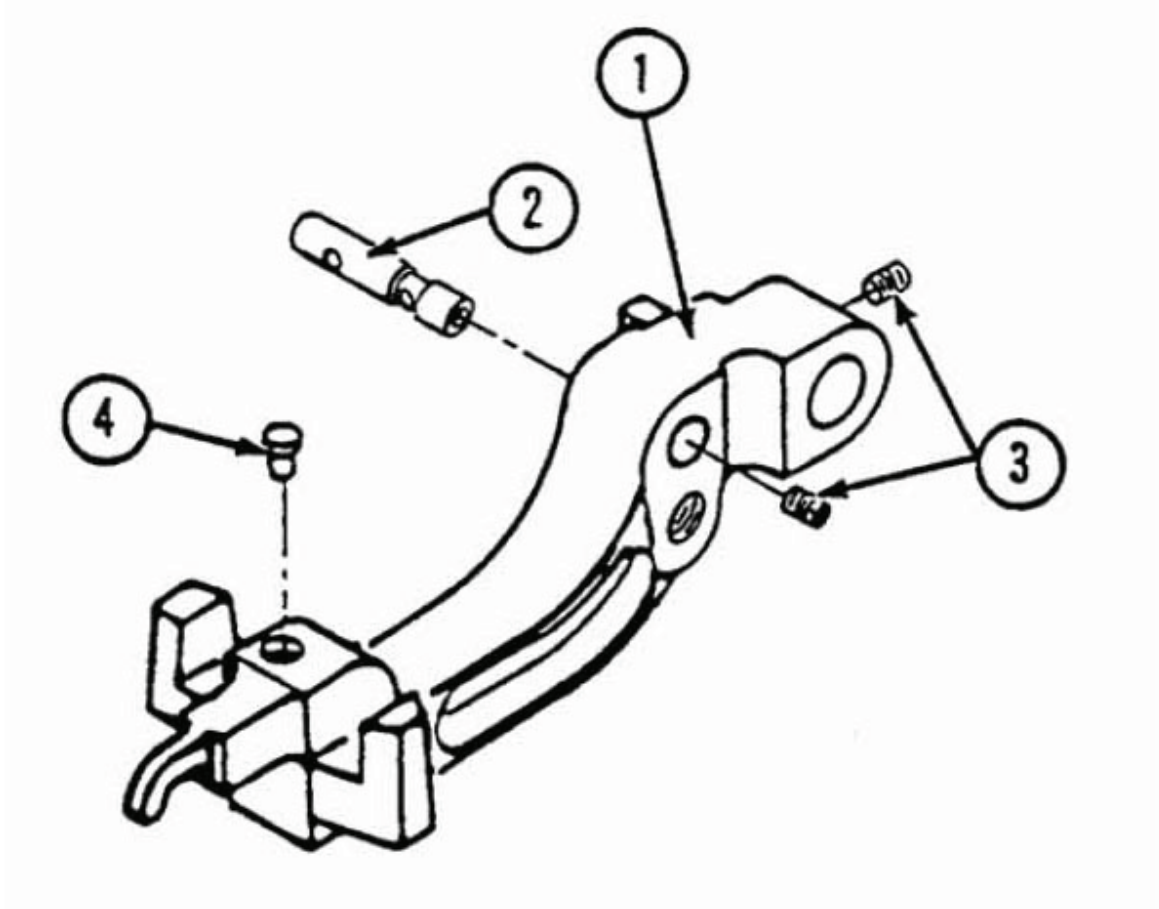
Reamer assembly 2 1/2" - 4"

dated: 09/14

Item no.	Description	article no.	Quantity
1	Holder, reamer blade	20153	1
2	Knob, phenolic, R-10	04943-1	1
3	Setscrew, hxsc. Cp.Pt. 1/2"-13x 1 1/4"L	H-508-D	1
4	Reamer, flat 2 1/2" - 4"	12237	1
5	Setscrew, hxsc. Cp.Pt. 3/8"-16x1/2"L	H-305-D	1

IMPORTANT! To assure safety and reliability, repairs, maintenance and adjustment must be preformed by ROTHENBERGER Kelkheim or authorized Service-Centers. Always use Original-Service-Parts. Order your accessories and spare parts from your specialist retailer


Industrial Equipment Company
6112 North Mesa Street, Suite 127, El Paso, TX 79912
Ph. 866-566-0222, Fax. 915-228-3777
www.cmstools.us



Small die-head adapter

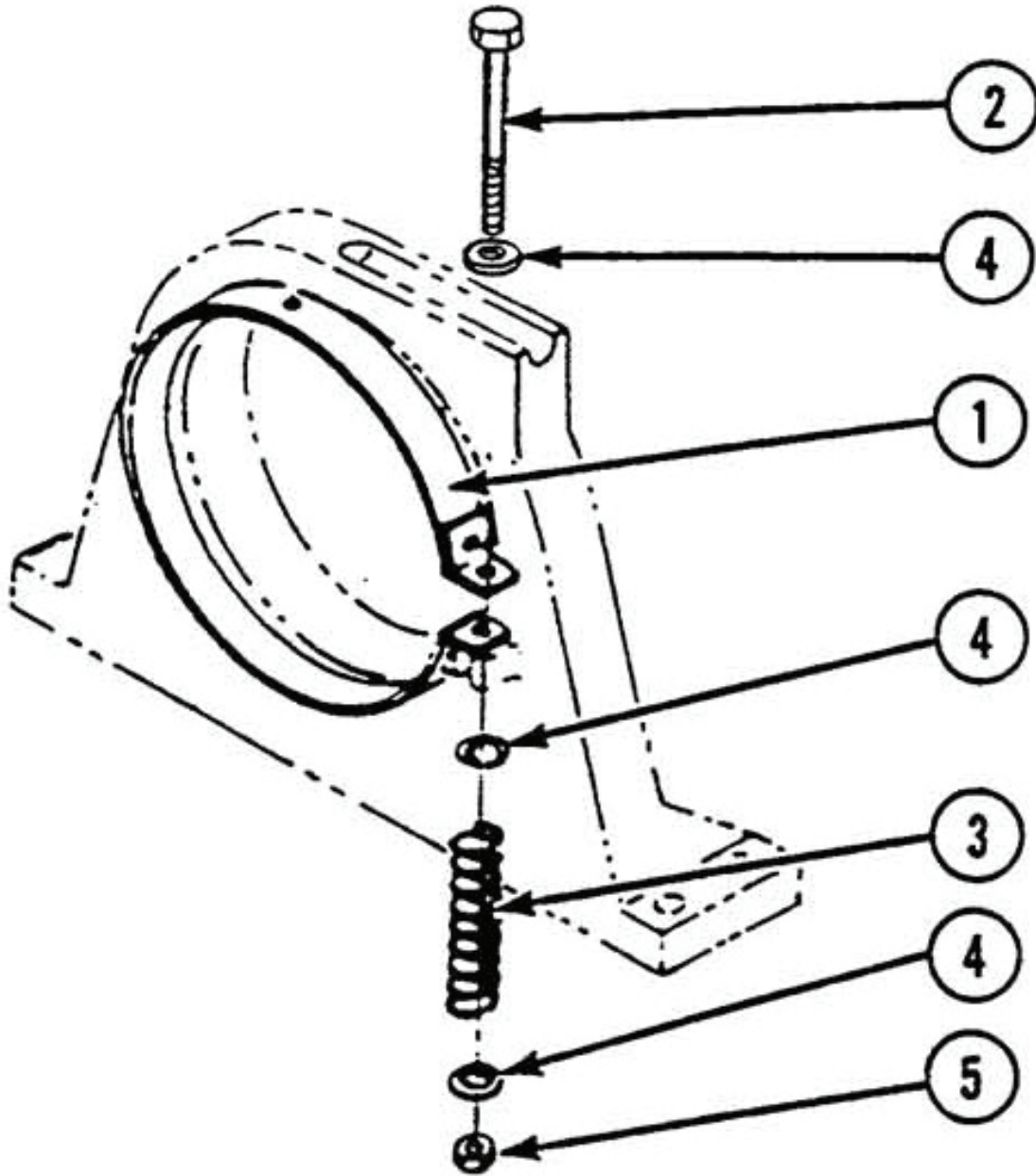
dated: 09/14

Item no.	Description
1	Adapter, small die head
2	Pin, adapter, small die head
3	Plug, pipe, hex.soc. 1/8"-27NPT
4	Pin, die head rest

article no.	Quantity	Price (€)
20154		o.r.
12886	1	o.r.
13140	1	o.r.
01572	1	o.r.

IMPORTANT! To assure safety and reliability, repairs, maintenance and adjustment must be performed by ROTHENBERGER Kelkheim or authorized Service-Centers. Always use Original-Service-Parts. Order your accessories and spare parts from your specialist retailer


Industrial Equipment Company
6112 North Mesa Street, Suite 127, El Paso, TX 79912
Ph. 866-566-0222, Fax. 915-228-3777
www.cmstools.us



Brake assembly

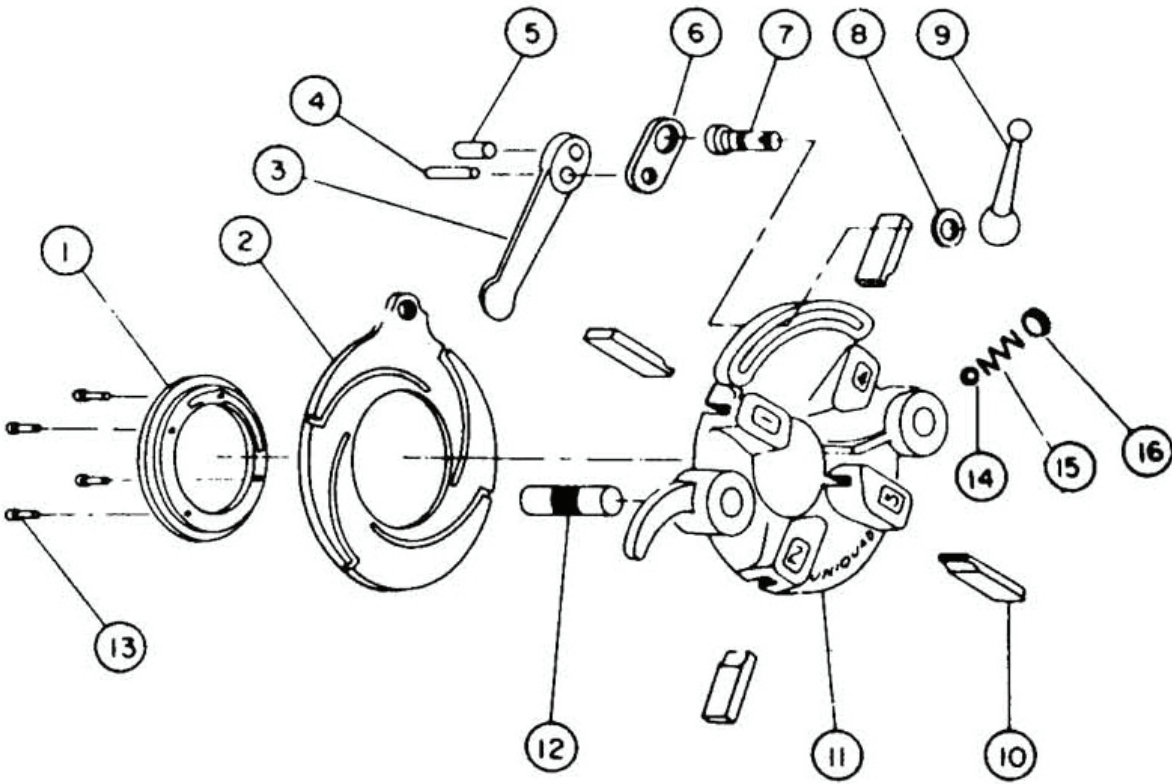
dated: 09/14

Item no.	Description
1	Brake shoe & lining assembly
2	Bolt, brake adjusting
3	Spring compression
4	Washer, flt. 3/8"
5	Nut, hexagon 3/8"-16

article no.	Quantity
20313	1
04261-1	1
01254	1
DA-104-W	1
B-303	1

IMPORTANT! To assure safety and reliability, repairs, maintenance and adjustment must be preformed by ROTHENBERGER Kelkheim or authorized Service-Centers. Always use Original-Service-Parts. Order your accessories and spare parts from your specialist retailer


Industrial Equipment Company
6112 North Mesa Street, Suite 127, El Paso, TX 79912
Ph. 866-566-0222, Fax. 915-228-3777
www.cmstools.us



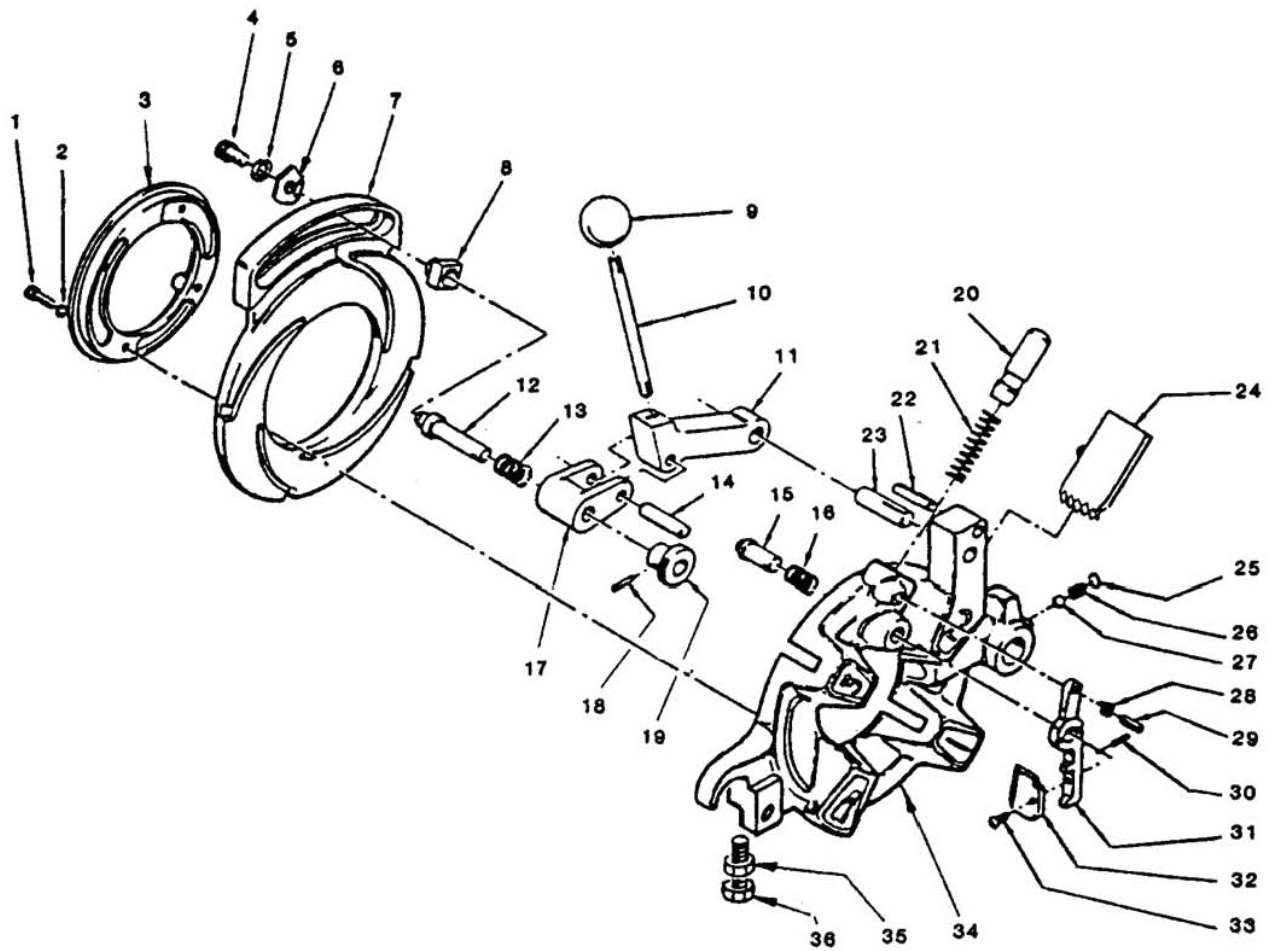
Uniquad die head

dated: 09/14

Item no.	Description	article no.	Quantity
1	retainer plate	1433	1
2	Uniquad scroll plate	1432	1
3	operating lever	1437	1
4	stop lever pin	0-407	1
5	pivot dowel pin	0-702	1
6	link	2183	1
7	pivot screw	2182	1
8	flat washer	D-204	1
9	scroll plate locking lever	1436	1
10	Uniquad dies sets, specify size and type		
11	die head housing	1431	1
12	die head pin	1431-1	1
13	die head screw	F-053	1
14	ball	B-1044-3	1
15	spring	12220	1
16	expansion plug	12135	1

IMPORTANT! To assure safety and reliability, repairs, maintenance and adjustment must be preformed by ROTHENBERGER Kelkheim or authorized Service-Centers. Always use Original-Service-Parts. Order your accessories and spare parts from your specialist retailer


Industrial Equipment Company
6112 North Mesa Street, Suite 127, El Paso, TX 79912
Ph. 866-566-0222, Fax. 915-228-3777
www.cmstools.us



Automatic die head

dated: 09/14

Item no.	Description	article no.	Quantity	Price (€)
1	screw, retainer plt.att.	M0508019F	1	o.r.
2	lockwasher	M05HC	1	o.r.
3	retainer, scroll plate	13487	1	o.r.
4	screw, size selection att.	M0610013F	1	o.r.
5	lockwasher	M06MC	1	o.r.
6	washer, size indicated	12697	1	o.r.
7	scroll plate BSP	12695	1	o.r.
8	selector, size	12772	1	o.r.
9	knob, operating lever	12665	1	o.r.
10	rod, operating lever	12666	1	o.r.
11	lever, operating	12660	1	o.r.
12	pin, selector	12667	1	o.r.
13	spring, compression, selector pin	12669	1	o.r.
14	pin, dowel, lever link	O-405	1	o.r.
15	pin, plunger release	12664	1	o.r.
16	spring, compression, trigger	12662	1	o.r.
17	link, operating lever	12670	1	o.r.
18	pin, spring, knob	U-407	1	o.r.
19	knob, selection pin	12668	1	o.r.
20	plunger, die head opening	12674	1	o.r.
21	spring, compression, plunger	12673	1	o.r.
22	pin, spring, lever stop	U-915-S	1	o.r.
23	pin, dowel, lever pivot	12566	1	o.r.
24	dies, not included, see list			o.r.
25	plug, expansion, die head	12135	1	o.r.
26	spring, compression, die head	12220	1	o.r.
27	ball, die head	13385	1	o.r.
28	nut, hex, trigger adjusting	M0508027B	1	o.r.
29	screw, trigger adjusting	M0508020F	1	o.r.
30	pin, shear, trigger	13209	1	o.r.
31	trigger, scroll plate release	12569	1	o.r.
32	gauge, thread length BSPT	12553	1	o.r.
33	screw, gauge att.	M0508012G	1	o.r.
34	housing	12561	1	o.r.
35	nut, hex, die head centering	M1015050B	1	o.r.
36	bolt, hx hd, die head centering	M1015044A	1	o.r.
85160	gauge, thread length NPT	12693	1	o.r.
85341	scroll plate NPT		1	o.r.

IMPORTANT!

To assure safety and reliability, repairs, maintenance and adjustment must be preformed by ROTHENBERGER Kelkheim or authorized Service-Centers. Always use Original-Service-Parts. Order your accessories and spare parts from your specialist retailer

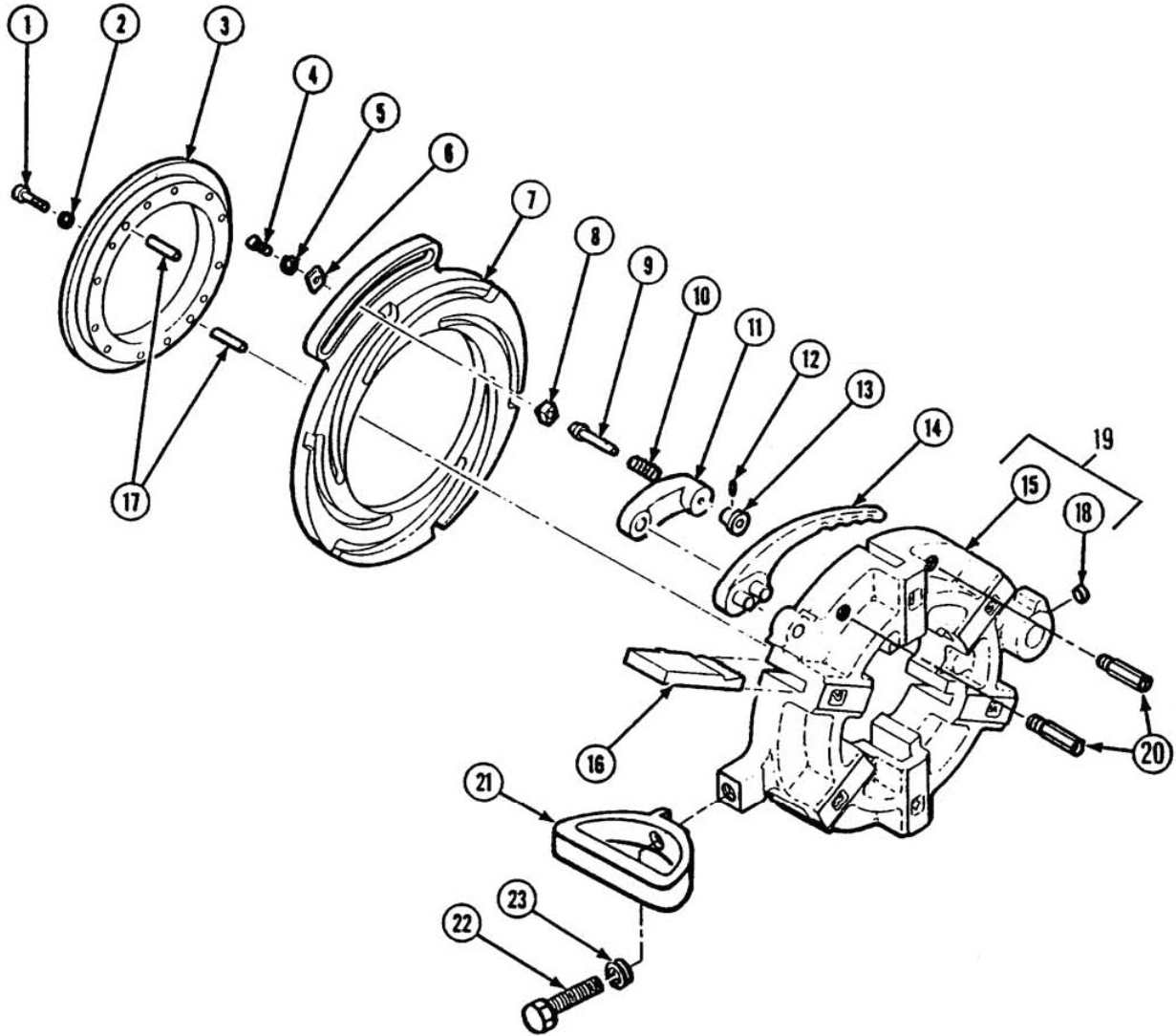


Industrial Equipment Company

6112 North Mesa Street, Suite 127, El Paso, TX 79912

Ph. 866-566-0222, Fax. 915-228-3777

www.cmstools.us



QUADMATIC die head

dated: 09/14

Item no.	Description	article no.	Quantity	Price (€)
1	Screw, cap soc. Hd	F-107	1	o.r.
2	Washer, lock, Hel. Spg.	C-109-HC	1	o.r.
3	Retainer , scroll plate	20203	1	o.r.
4	Screw, cap, soc. Hd	F-1003	1	o.r.
5	Washer, lock, Hel.Spg.	C-109-M	1	o.r.
6	Washer, selector ret.	12697	1	o.r.
7	Scroll plate	20202	1	o.r.
8	Selector size	12694	1	o.r.
9	Pin, selector	12667	1	o.r.
10	Spring, compression	12669	1	o.r.
11	Link, operating lever	20304	1	o.r.
12	Pin, spring	U-407	1	o.r.
13	Knob, selector pin	12668	1	o.r.
14	Lever, operating	20204	1	o.r.
15	Housing, die head	20201	1	o.r.
16	Set of thread dies (specify size&type)			o.r.
17	Pin, dowel	O-402	1	o.r.
18	Plug, expansion	12235	1	o.r.
19	Housing assembly, die head	20210	1	o.r.
20	Dispenser, cutting oil	12216	1	o.r.
21	Handle, die head	06950	1	o.r.
22	Screw, Cap, Hex.Hd.	A-504-P	1	o.r.
23	Washer, lock, Hel.Spg.	C-113-MP	1	o.r.
85459	Scroll plate		1	o.r.

IMPORTANT! To assure safety and reliability, repairs, maintenance and adjustment must be preformed by ROTHENBERGER Kelkheim or authorized Service-Centers. Always use Original-Service-Parts. Order your accessories and spare parts from your specialist retailer


Industrial Equipment Company
6112 North Mesa Street, Suite 127, El Paso, TX 79912
Ph. 866-566-0222, Fax. 915-228-3777
www.cmstools.us